

REVISION RECORD				
REV	ECN	DESCRIPTION	DRFT	DATE

NOTES1:

UL Standard

1. Rated voltage/current : 150V / 6A
2. Torque value : M1.6 , 1.29Lb.in
3. Wire range : 26~18AWG

IEC Standard

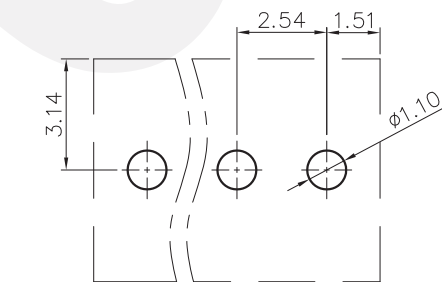
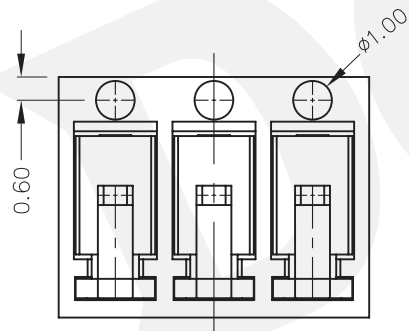
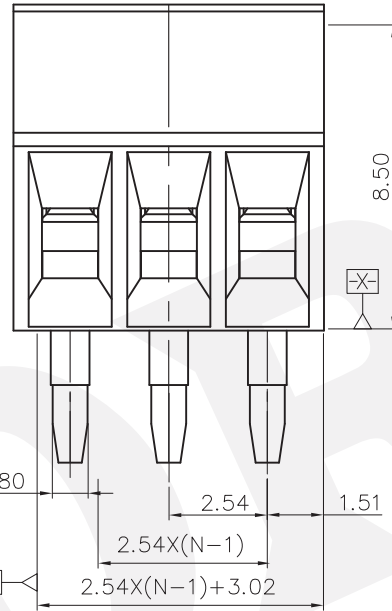
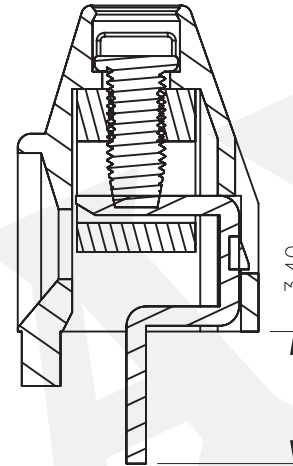
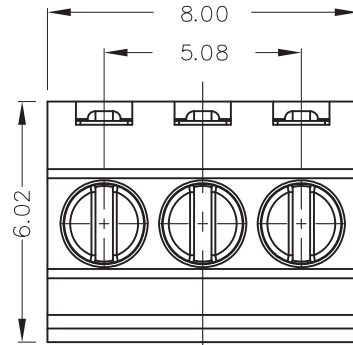
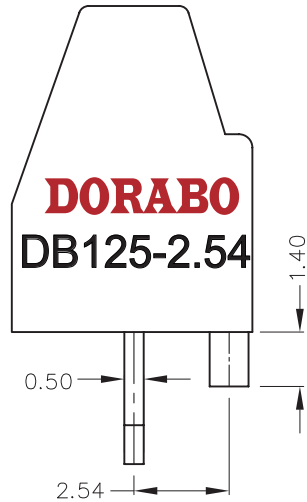
1. Rated voltage/current : 130V / 8A
2. Torque value : M1.6 , 0.15N·m
3. Wire range : 0.5~1.0mm²

NOTES2:

1. Dimension shall be interpreted per ASME Y14.5-2009
2. Pitch : 2.54mm, Poles : N=02-12P
3. Stripping length : 4~5mm
4. Withstanding voltage : AC1250V/1Min
5. Operating temperature : -40°C~+105°C
6. Undimensioned tolerances:

Pitch range in mm	Nominal dimension range in mm						0.1/10	
	Over 6 TO 6	Over 10 TO 10	Over 15 TO 15	Over 20 TO 20	Over 30 TO 30	Over 60 TO 60		
±0.15	±0.20	±0.30	±0.30	±0.50	±0.70	±1.00	±1.30	±2'

7. RoHS Compliance



P.C.B. LAYOUT

DB125T - 2.54 - XXP - 1Y - 00A (H)
 (Series No.) (Pitch) (Poles) (Single Pitch) (Color): 1.(Grey) 2.(Blue) 3.(Black) 4.(Green) 5.(Orange) 6.(Red) 7.(Transparent) 8.(Yellow) 9.(White)

DETACHED LISTS	PART NO.:	/			
	APPD:	/			
	CHKD:	/			
	DRFT: YXX 2018/07/13	TITLE: CUSTOMER DRAWING		REV	DO
	DRAWING NO.:		SHEET	1/1	
	MM (INCH)		DO NOT SCALE DRAWING	SCALE 1:1	



THIRD ANGLE PROJECTION