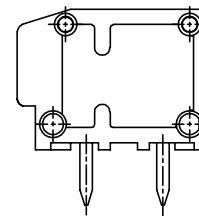
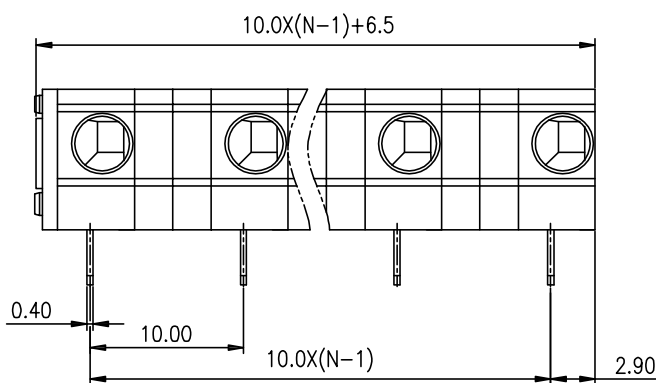
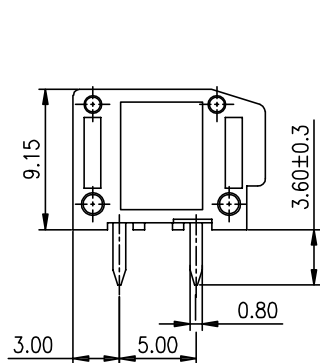
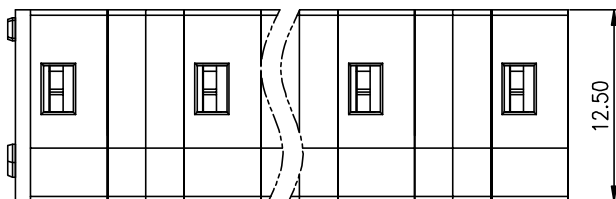
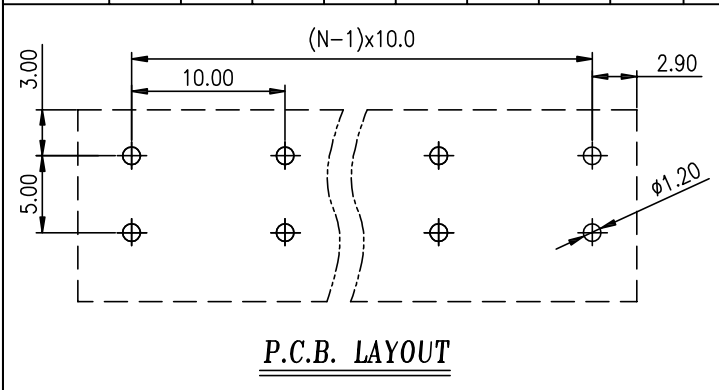


linear dimension(Tolerances Standard GB/T 14486-2008)								—	$\square$	$\perp$
variable range	to 6	over 6 to 10	over 10 to 30	over 30 to 60	over 60 to 100	over 100 to 160	over 160 to	to 10	over 10 to 100	over 100 to
tolerance	±0.20	±0.30	±0.50	±0.70	±1.00	±1.30	±1.60	0.10	0.30	0.60



UL/CUL 技术参数	UL/CUL Technical Data			cRU us		
等级	Use Group	B	C	D		
额定电压	Rated Voltage [V]	300	150	300		
额定电流	Rated Current [A]	5	5	5		
接线范围	Wire Range	20-18				
单/多芯线	Solid/Stranded [AWG]					
耐电压	Withstanding Voltage	1600V/1Min				
IEC 技术参数						
IEC Technical Data						
过电压类别	Overvoltage Category	III	III	II		
污染等级	Contamination Class	3	2	2		
额定电压	Rated Voltage [V]	400	1000	1000		
额定电流	Rated Current [A]	17.5	17.5	17.5		
额定冲击电压	Impulse withstand voltagea [KV]	8.0	8.0	8.0		
导线截面积	Conductor cross section	0.2-1.5				
硬质/柔性导线	Solid/ flexible [mm <sup>2</sup> ]					
材料 Material						
绝缘材料	Insulation Material	PA66				
阻燃等级	Infammability	UL94V-0				
导体材料	Contacto Material	铜合金 Copper alloy				
导体表面镀层	Contactive Coating	镀锡 Sn Plated				
一般参数 Other Data						
间距	Pitch [mm]	10.0				
极数	Poles [P]	2-12				
剥线长度	Stripping Length [mm]	9-10				
螺丝	Screw/扭矩 Torque(Max) [N.m]	-				
工作温度	Operating temperatur [°C]	-40→+105				
引针尺寸	Pin Dimensions [mm]	-				
PCB板孔径	PCB Hole Diameter [mm]	1.2				

DB260W — 10.0 — XXP — C

(Series No.) (Pitch) (Poles)

(Color) : GN:(Green), BK:(Black), BU:(Blue), RD:(Red), GY:(Gray)  
OG:(Orange), WT:(White), YL:(Yellow), CR:(Clear)

APPD: JTING Chen 2022.4.6  
CHKD: Duck Mao 2022.4.6  
DRFT: Steven Lu 2022.4.6

**DORABO** 宁波地博电气有限公司  
Ningbo Dorabo Electric CO., Ltd

NAME: DB260W-10.0-XXP-C

TYPE: CUSTOMER\_DRAWING

SIZE: A4

SCALE: 1:1

REV: T0-1

SHEET: 1/1