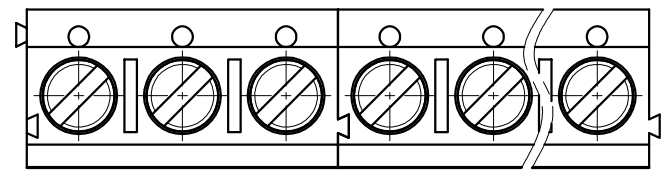
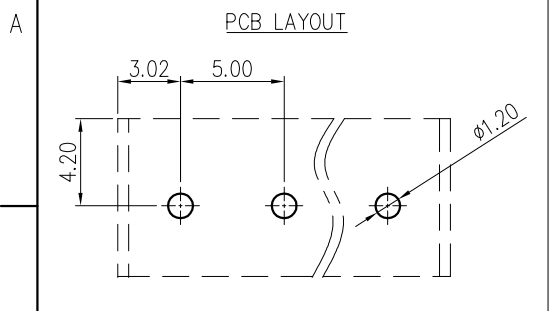


未注公差/General tolerances(mm)													
0	>3	>6	>10	>18	>30	>50	>80	>120	>180	>250	>315	>400	>500
~	~	~	~	~	~	~	~	~	~	~	~	~	~
3	6	10	18	30	50	80	120	180	250	315	400	500	>500
±0.12	±0.18	±0.22	±0.26	±0.31	±0.37	±0.57	±0.80	±0.93	±1.05	±1.15	±1.60	±2.20	±2.50

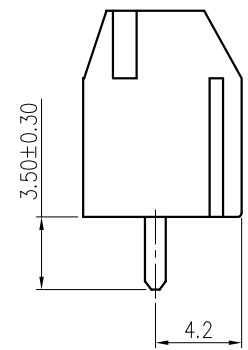
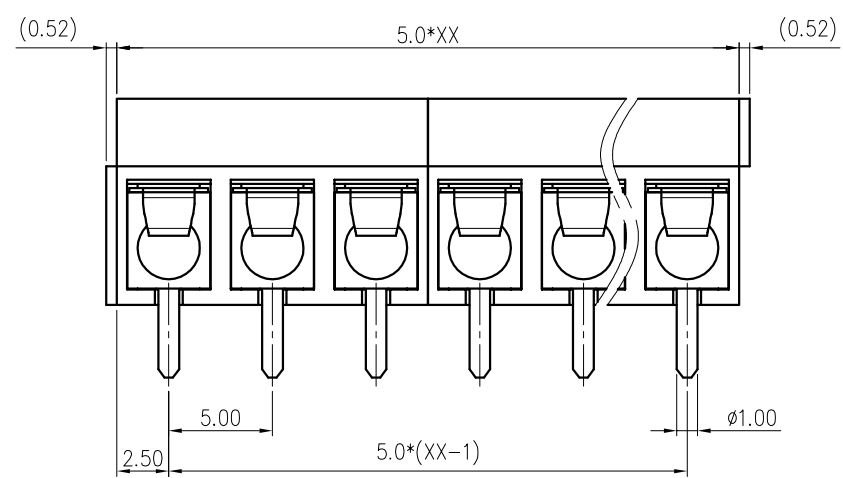
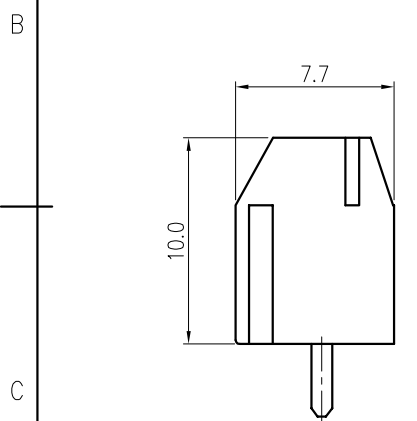
REV	ECN	DESCRIPTION	DRFT	DATE



DB301V — 5.0 — XXP — C — S/P — XXXX

(Series No.) (Pitch) (Poles) Slotted/Phillips (Customer Request)

(Color):GN:(Green), BK:(Black), BU:(Blue), RD:(Red), GY:(Gray)
OG:(Orange), WT:(White), YL:(Yellow), CR:(Clear)



UL 标准/UL Standard:	B	C	D
额定电压/电流/Rated Voltage(V)/Current(A)	300/15	/	300/10
IEC 标准/IEC Standard:			
过压类别/Overvoltage Category/污染等级/Pollution Degree	III/3	III/2	II/2
额定电压/电流/Rated Voltage(V)/Current(A)	250/17.5	400/17.5	630/17.5
额定脉冲电压(KV)/Rate Impulse Voltage(KV)	4	4	4
螺丝扭矩/Torque Tightening(N·m/Lb.in)	M2.5, 0.4/3.54		
线径范围(硬线和软线)/Wire Range(rigid and flexible)(AWG/mm ²)	22~14/0.5~1.5		
间距/Pitch(mm)/线数范围/Poles	5.0/XX=2~24P		
剥线长度/Stripping length(mm)	5~6		
使用温度范围/Operating temperature(°C)	-40~+105		
符合RoHS环保要求/Conform to RoHS	Yes		

Spring	Stainless Steel	/
Screw	Steel	Zn Plated
Conductor	Copper alloy	Sn Plated
Insulator	PA66	UL94V-0
NAME OF PART	MATERIAL	NOTES

MAT NO.: /	ORABO 宁波地博电气有限公司 NINGBO DORABO ELECTRICAL CO., LTD		
STATUS: /	NAME: DB301V-5.0-XXP-C-S		
APPD: Steven Lu 2022.11.26	DRAWING NO.: /		
CHKD: Jting Chen 2022.11.26	REV: A		
DRFT: Tom Mao 2022.11.26	TYPE: CUSTOMER DRAWING		
SIZE: A4	SCALE: 1:1	SHEET: 1/1	