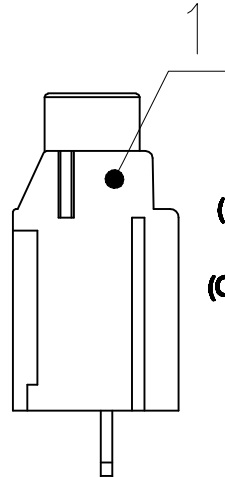
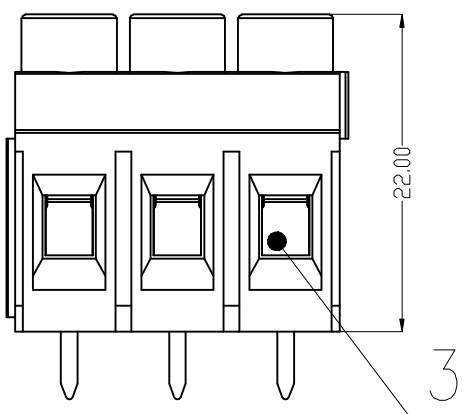
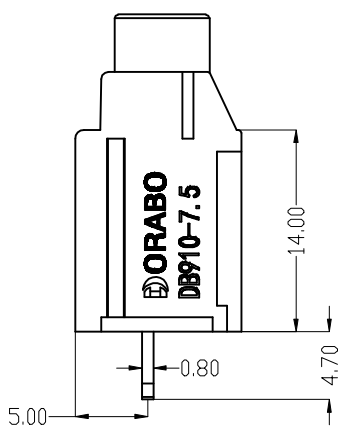
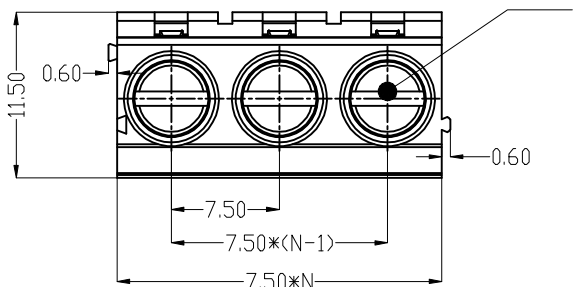
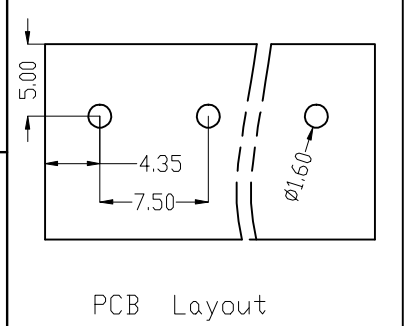


REV	ECN	DESCRIPTION	DRFT	DATE

未注公差/General tolerances(mm)														
0	>3	>6	>10	>18	>30	>50	>80	>120	>180	>250	>315	>400	>500	0.1/10
3	6	10	18	30	50	80	120	180	250	315	400	500		
±0.1	±0.1	±0.2	±0.2	±0.3	±0.3	±0.5	±0.8	±0.9	±1.0	±1.1	±1.6	±2.2	±2.5	±2°
2	8	2	6	1	7	7	0	3	5	5	0	0	0	



DB910 7.50 XXP C S/P

(Series No.) (Pitch) (Poles) Slotted/Phillips

(Color):GN:(Green), BK:(Black), BU:(Blue), RD:(Red), GY:(Gray)
OG:(Orange), WT:(White), YL:(Yellow), CR:(Clear)

UL 标准/UL Standard:	B	C	D
额定电压/电流/Rated Voltage(V)/Current(A)	300/30	/	300/10
IEC 标准/IEC Standard:			
过压类别/Overvoltage Category/污染等级/Pollution Degree	III/3	III/2	II/2
额定电压/电流/Rated Voltage(V)/Current(A)	500/32	630/32	1000/32
额定脉冲电压(KV)/Rate Impulse Voltage(KV)	6	6	6
线径范围(硬线和软线)/Wire Range(rigid and flexible)(mm ² /AWG)	0.2~4.0/26~10		
间距/Pitch(mm)/线数范围/Poles	7.5/N=02~24P		
剥线长度/Stripping length(mm)	7		
使用温度范围/Operating temperature(°C)	-40~+105		
符合RoHS环保要求/Conform to RoHS	Yes		

4	Screw	Steel	M3.5/Zn Plated
3	Cage	Copper alloy	M3.5/Ni Plated
2	Pin header	Copper alloy	Sn Plated
1	Housing	PA66	UL94V-0
ITEM	NAME OF PART	MATERIAL	NOTES

MAT NO:	/	ORABO 宁波地博电气有限公司		
STATUS:	/	NINGBO DORABO ELECTRICAL CO., LTD		
APPD:	HQ 2025.11.14	NAME: DB910-7.50-XXP-C-S		
CHKD:	HQ 2025.11.14	DRAWING NO: /		
DRFT:	HQ 2025.11.14	SCALE: 1:1	REV	M1
SIZE: A4	mm (inch)	TYPE: CUSTOMER_DRAWING	SHEET	1/1