

REVISION RECORD				
REV	ECN	DESCRIPTION	DRFT	DATE

NOTES1:

UL Standard

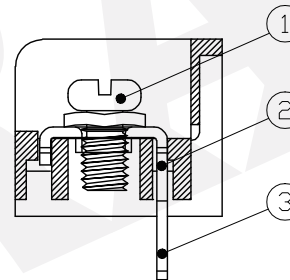
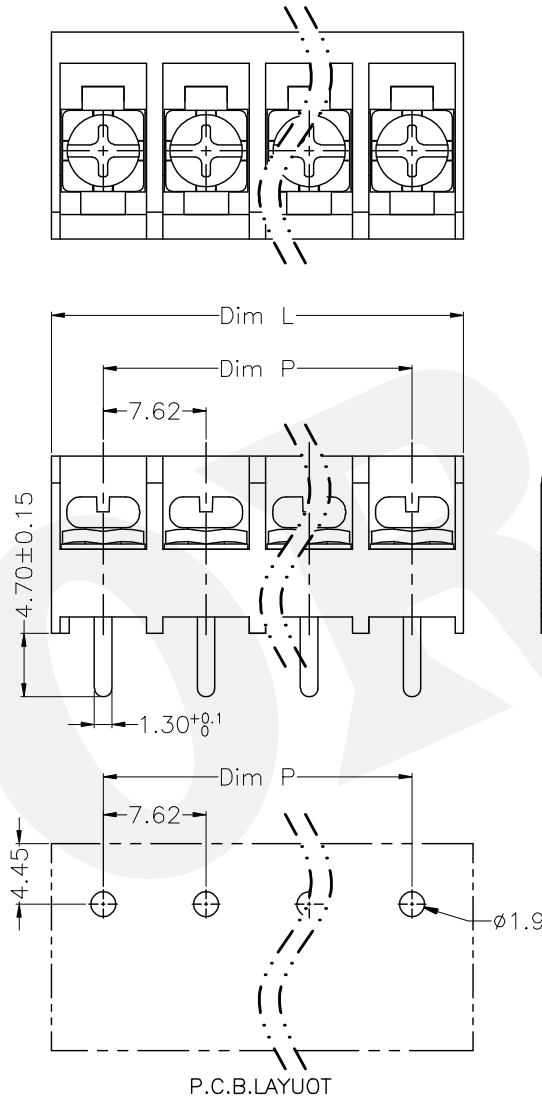
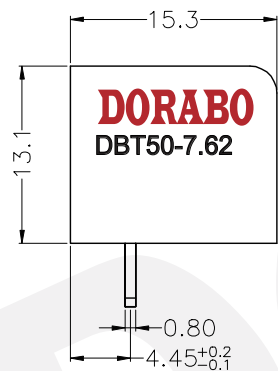
- 1.Rated voltage/current : 300V / 20A
- 2.Torque value : M3 , 4.43Lb.in
- 3.Wire range : 22~12AWG

NOTES2:

- 1.Dimension shall be interpreted per ASME Y14.5-2009
- 2.Pitch : 7.62mm, Poles : N=02~22P
- 3.Withstanding voltage : AC1600V/1Min
- 4.Operating temperature: -40°C~+105°C
- 5.Undimensioned tolerances:

Pitch Range In mm		Nominal Dimension Range In mm				Tolerance	
To	Over	To	Over	To	Over	mm	Inch
6	10	6	10	10	150	±0.15	0.1/10
10	24	10	24	24	150	±0.20	±2*
24	30	24	30	30	150	±0.30	±2*
30	60	30	60	60	150	±0.50	±2*
60	100	60	100	100	150	±0.70	±2*
100	150	100	150	150	150	±1.00	±2*
150		150				±1.30	±2*

6.RoHS Compliance



DBT50-7.62 - XXP - 1Y - 00A (H)  
 (Series No.) (Poles) (Single Pitch) (Color): 1.(Grey) 2.(Blue) 3.(Black) 4.(Green) 5.(Orange) 6.(Red) 7.(Transparent) 8.(Yellow) 9.(White)  
 (RoHS) 00A-(Standard)

DETACHED LISTS	PART NO.:	/			
	APPD:	/			
	CHKD:	/			
	DRFT:	/			
THIRD ANGLE PROJECTION		NAME:		DORABO 慈溪市地博电子有限公司 CIXI DORABO ELECTRONICS CO.,LTD	
		TITLE:		CUSTOMER DRAWING	
		DRAWING NO.:		REV	DO
		MM (INCH)		SHEET	1/1
		DO NOT SCALE DRAWING		SCALE	1:1