

REVISION RECORD

REV	ECN	DESCRIPTION	DRFT	DATE
-----	-----	-------------	------	------



NOTES1:

UL Standard

- 1.Rated voltage/current : 300V / 20A
- 2.Torque Value : M3 , 4.43Lb.in
- 3.Wire range : 20~12AWG

IEC Standard

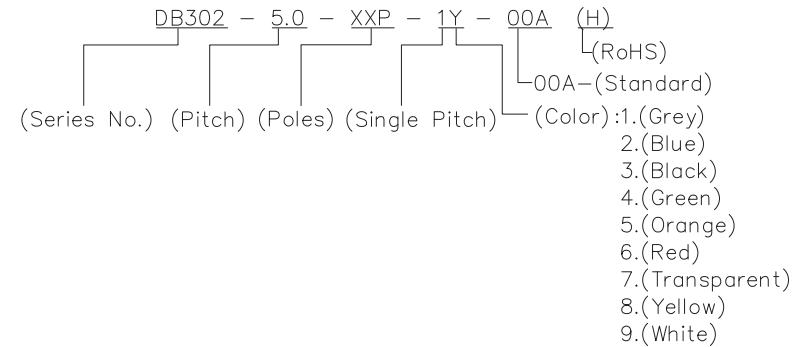
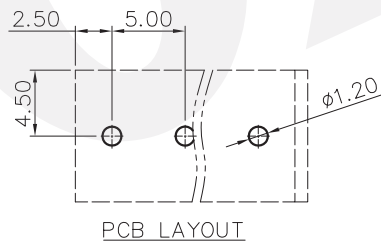
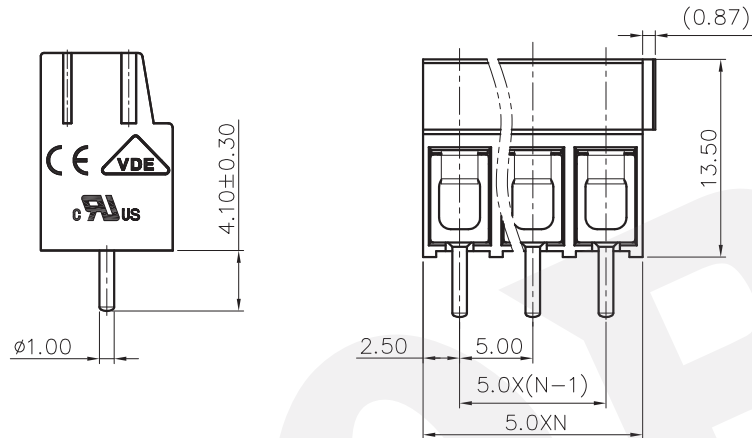
- 1.Rated voltage/current : 250V / 25A
- 2.Torque Value : M3 , 0.5N.m
- 3.Wire range : 0.5~4mm<sup>2</sup>

NOTES2:

- 1.Dimension shall be interpreted per ASME Y14.5-2009
- 2.Pitch : 5.0mm, Poles : N=02~12P
- 3.Stripping length : 5~6mm
- 4.Withstanding voltage : AC2000V/1Min
- 5.Operating temperature : -40°C~+105°C
- 6.Undimensioned tolerances:

Pitch range in mm		Nominal dimension range in mm						—	∩	∇
To	Over	To	Over	To	Over	To	Over	0.1/10		
6	10	10	24	30	60	100	150			
±0.15	±0.20	±0.30	±0.30	±0.50	±0.70	±1.00	±1.30	±2'		

7.RoHS Compliance



DETACHED LISTS	PART NO.:	/			
	APPD:	/			
	CHKD:	/			
	DRFT:	/			
		<p>THIRD ANGLE PROJECTION</p>		<p><b>DORABO</b> 慈溪市地博电子有限公司 CIXI DORABO ELECTRONICS CO.,LTD</p>	
		<p>NAME: DB302-5.0-XXP-1Y-00A(H)</p>		REV	DO
		<p>TITLE: CUSTOMER DRAWING</p>		SHEET	1/1
		<p>DRAWING NO.: /</p>		SCALE	1:1
		<p>MM (INCH) DO NOT SCALE DRAWING</p>			