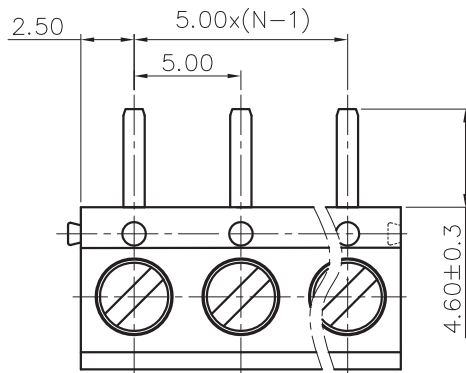


REVISION RECORD

REV	ECN	DESCRIPTION	DRFT	DATE



NOTES1:

- UL Standard  
 1. Rated Voltage/Current : 300V / 15A  
 2. Torque Value : M2.5 , 3.54Lb.in  
 3. Wire Range : 22~14AWG

IEC Standard

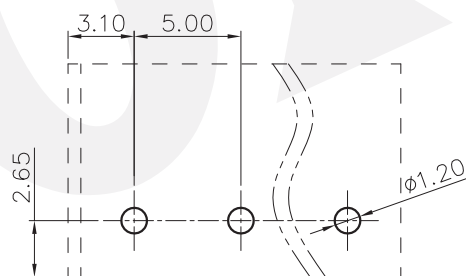
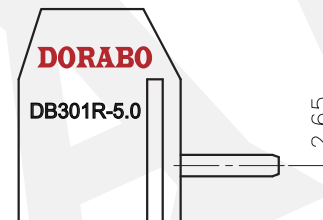
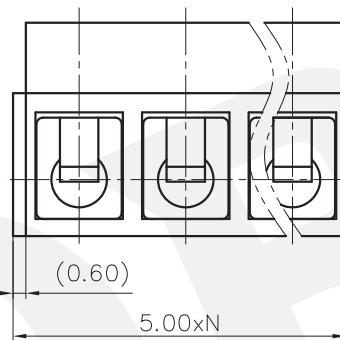
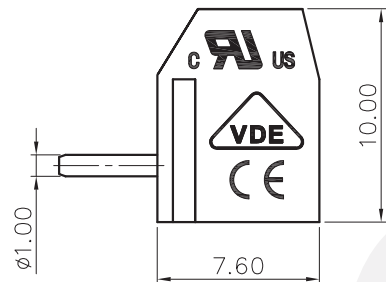
1. Rated Voltage/Current : 250V / 17.5A  
 2. Torque Value : M2.5 , 0.4N.m  
 3. Wire Range : 0.75~1.5mm<sup>2</sup>

NOTES2:

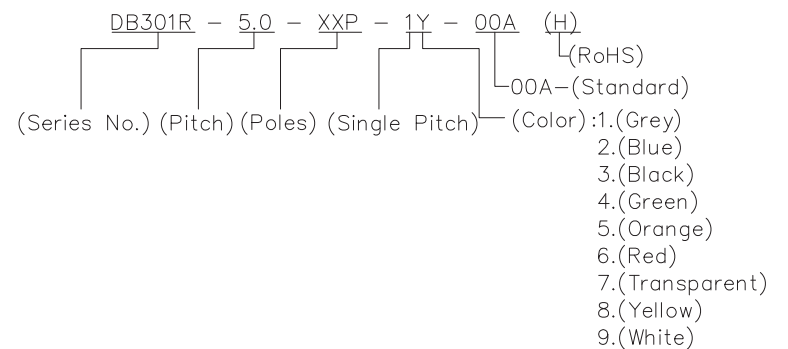
1. Dimension shall be interpreted per ASME Y14.5-2009  
 2. Pitch : 5.0mm, Poles : N=02~24P  
 3. Stripping length : 5~6mm  
 4. Withstanding Voltage : AC2000V/1Min.  
 5. Operating temperature : -30°C~+120°C  
 6. Undimensioned Tolerances:

Pitch Range In mm	Nominal Dimension Range In mm				-	∠
	Over 6 TO 10	Over 10 TO 24	Over 30 TO 60	Over 60 TO 150		
±0.15	±0.20	±0.30	±0.30	±0.50	±0.70	±1.30
						±2'

7. RoHS Compliance



PCB LAYOUT



DETACHED LISTS	PART NO.:	/			
	APPD:	/			
	CHKD:	/			
	DRFT:	/			
		<b>DORABO</b> 慈溪市地博电子有限公司 CIXI DORABO ELECTRONICS CO.,LTD			
		NAME: DB301R-5.0-XXP-1Y-00A(H)			
		TITLE: CUSTOMER DRAWING	REV	DO	
		DRAWING NO.:	/		SHEET 1/1
		THIRD ANGLE PROJECTION	DO NOT SCALE DRAWING	SCALE	1:1