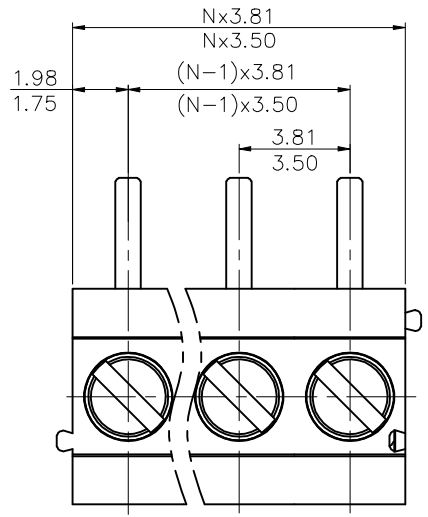


REVISION RECORD				
REV	ECN	DESCRIPTION	DRFT	DATE

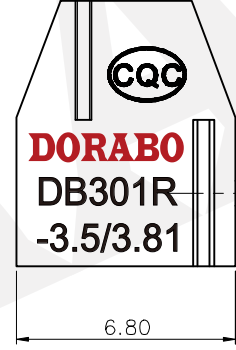
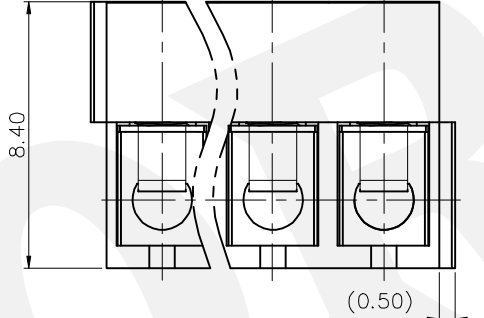
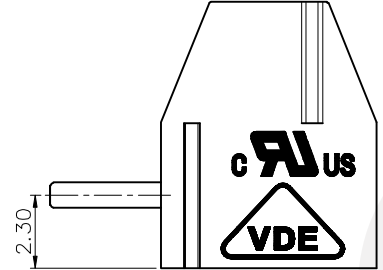


NOTES1:  
 UL Standard  
 1.Rated Voltage/Current : 300V / 7A  
 2.Torque Value : M2 , 1.77Lb.in  
 3.Wire Range : 24~18AWG  
 IEC Standard  
 1.Rated Voltage/Current : 130V / 10A  
 2.Torque Value : M2 , 0.2N.m  
 3.Wire Range : 0.5~1.0mm<sup>2</sup>

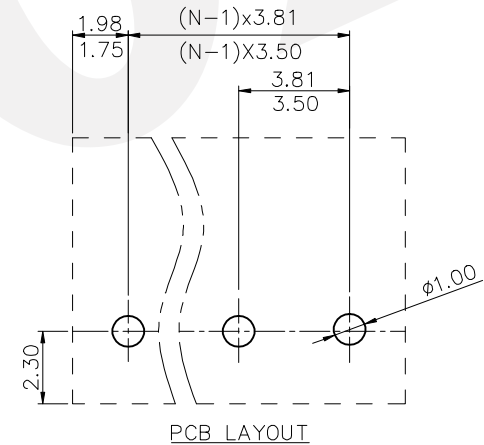
NOTES2:  
 1.Dimension shall be interpreted per ASME Y14.5-2009  
 2.Pitch : 3.81/3.5mm, Poles : N=02~24P  
 3.Stripping length : 5mm  
 4.Withstanding Voltage : AC1250V/1Min.  
 5.Operating temperature : -40°C~+105°C  
 6.Undimensioned Tolerances:

Pitch Range mm	In		Nominal Dimension Range				0.1/10									
	Over	Over	In	mm	mm	mm										
TO 6	6	10	TO 30	30	60	100	150	±0.15	±0.20	±0.30	±0.30	±0.50	±0.70	±1.00	±1.30	±2'

7.RoHS Compliance



DB301R - 3.5/3.81 - XXP - 1Y - 00A (H)  
 (Series No.) (Pitch) (Poles) (Single Pitch)  
 (Color):  
 1.(Grey) 6.(Red)  
 2.(Blue) 7.(Transparent)  
 3.(Black) 8.(Yellow)  
 4.(Green) 9.(White)  
 5.(Orange)



DETACHED LISTS	PART NO.:	<b>DORABO</b> 慈溪市地博电子有限公司 CIXI DORABO ELECTRONICS CO.,LTD			
	APPD:	NAME: DB301R-3.5/3.81-XXP-1Y-00A(H)			
	CHKD:	TITLE: CUSTOMER DRAWING			
	DRFT:	REV	DO		
	THIRD ANGLE PROJECTION	DRAWING NO.:	SHEET	1/1	
	MM (INCH)	DO NOT SCALE DRAWING	SCALE	1:1	