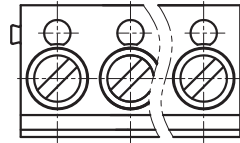


REVISION RECORD				
REV	ECN	DESCRIPTION	DRFT	DATE



NOTES1:

UL Standard

1. Rated voltage/current : 300V / 15A
2. Torque value : M2.5 , 2.58Lb.in
3. Wire range : 22~14AWG

IEC Standard

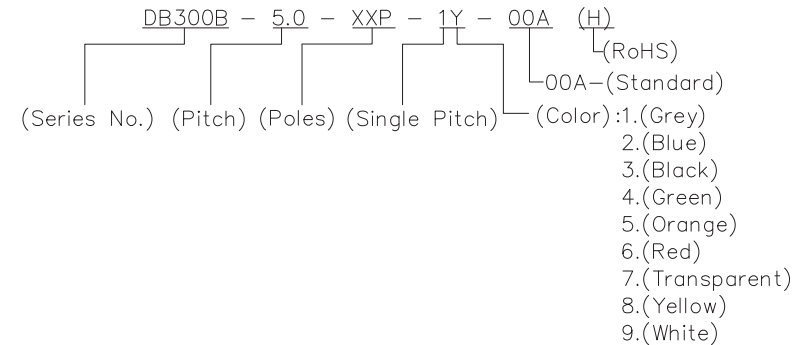
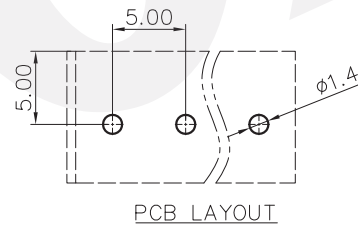
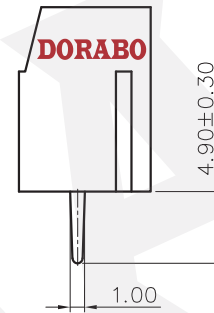
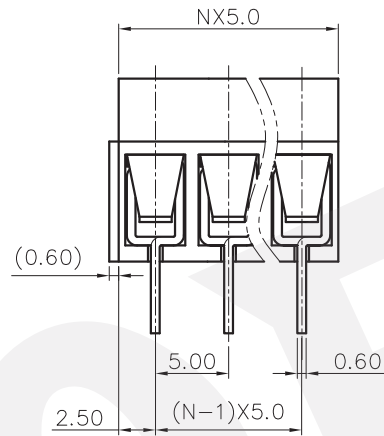
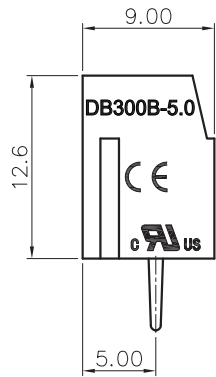
1. Rated voltage/current : 250V / 20A
2. Torque value : M2.5 , 0.29N·m
3. Wire range : 2.5mm²

NOTES2:

1. Dimension shall be interpreted per ASME Y14.5-2009
2. Pitch : 5.0mm, Poles : N=2~24P
3. Stripping length : 6~7mm
4. Withstanding voltage : AC2000V/1Min
5. Operating temperature : -30°C~+120°C
6. Undimensioned tolerances:

Pitch range in mm		Nominal dimension range in mm					-	∩	∇
TO	Over	Over	Over	Over	Over	0.1/10			
6	6 TO 10	10 TO 24	30 TO 60	60 TO 100	100 TO 150	150			
±0.15	±0.20	±0.30	±0.30	±0.50	±0.70	±1.00	±1.30	±2'	

7. RoHS Compliance



DETACHED LISTS	PART NO.:	/			
	APPD:	/			
	CHKD:	/			
	DRFT:	/			
	THIRD ANGLE PROJECTION		DRAWING NO.:		REV
		/		SHEET	1/1
		MM (INCH)		DO NOT SCALE DRAWING	SCALE
				SCALE	1:1

DORABO 慈溪市地博电子有限公司
 CIXI DORABO ELECTRONICS CO.,LTD

DB300B-5.0-XXP-1Y-00A(H)

CUSTOMER DRAWING

DO NOT SCALE DRAWING