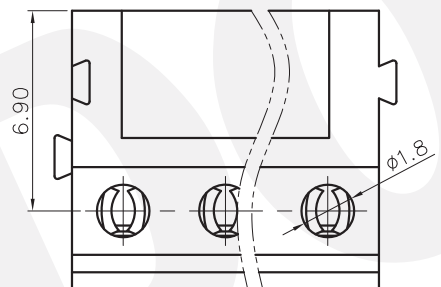
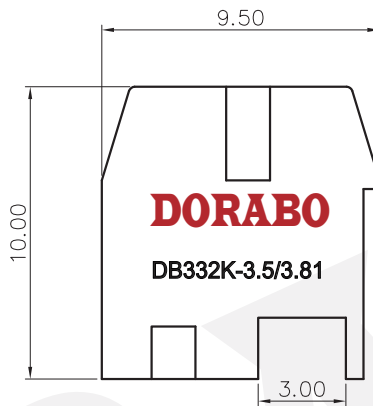
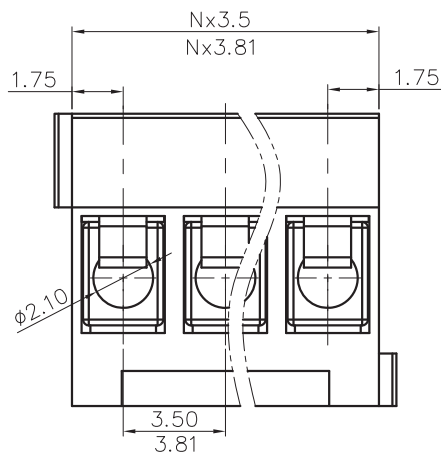


REVISION RECORD				
REV	ECN	DESCRIPTION	DRFT	DATE



NOTES1:

UL Standard

- 1.Rated voltage/current : 300V / 8A
- 2.Torque value : M2 , 1.77Lb.in
- 3.Wire range : 28~16AWG

IEC Standard

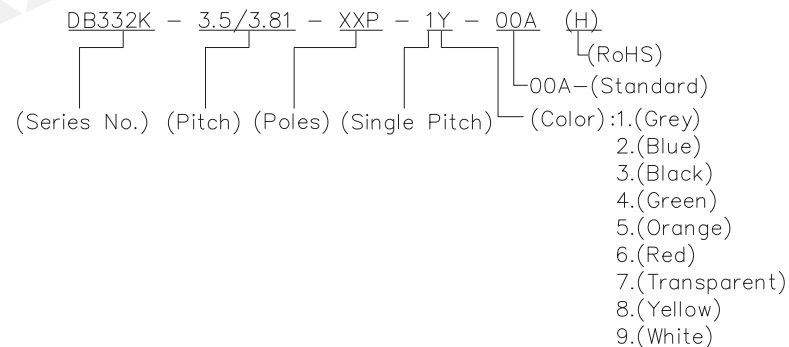
- 1.Rated voltage/current : 250V / 10A
- 2.Torque value : M2 , 0.20N·m
- 3.Wire range : 0.2~1.0mm²

NOTES2:

- 1.Dimension shall be interpreted per ASME Y14.5-2009
- 2.Pitch : 3.5/3.81mm, Poles : N=02~24P
- 3.Stripping length : 4~5mm
- 4.Withstanding voltage : AC2000V/1Min
- 5.Operating temperature: -30°C~+120°C
- 6.Undimensioned tolerances:

Pitch range in mm			Nominal dimension range in mm					0.1/10
TO	Over TO	Over TO	TO	Over TO	Over TO	Over TO	Over TO	
6	6 TO 10	10 TO 24	30	30 TO 60	60 TO 100	100 TO 150	150	
±0.15	±0.20	±0.30	±0.30	±0.50	±0.70	±1.00	±1.30	
							±2'	

7.RoHS Compliance



DETACHED LISTS	PART NO.:	/			
	APPD:	2	NAME:	DORABO 慈溪市地博电子有限公司 CIXI DORABO ELECTRONICS CO.,LTD	
	CHKD:	3	DB332K-3.5/3.81-XXP-1Y-00A(H)		
	DRFT:	4	TITLE:	CUSTOMER DRAWING	REV DO
THIRD ANGLE PROJECTION		DRAWING NO.:	/	SHEET	1/1
		MM (INCH)	DO NOT SCALE DRAWING	SCALE	1:1