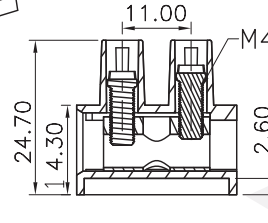
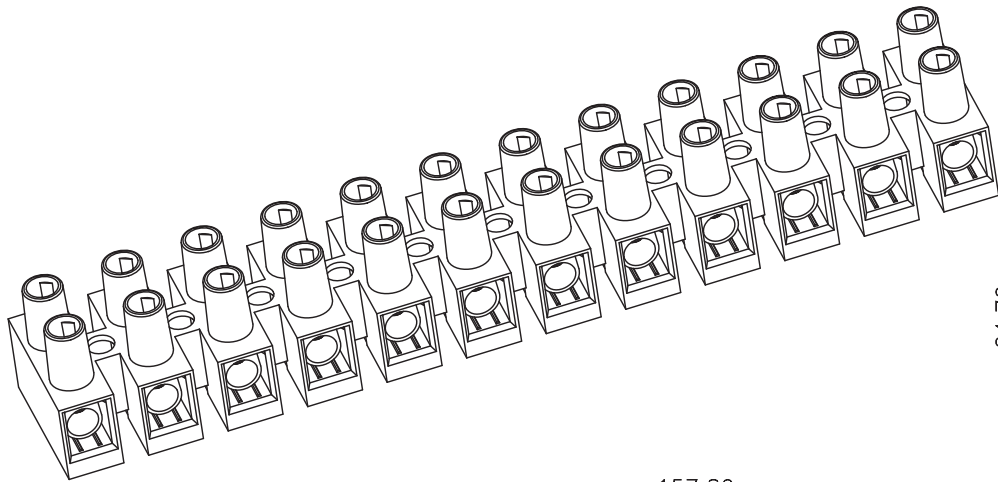


REVISION RECORD

REV	ECN	DESCRIPTION	DRFT	DATE
-----	-----	-------------	------	------



NOTES1:

UL Standard

- 1.Rated Voltage/Current : 600V / 50A
- 2.Torque Value : M4 , 10.53Lb.in
- 3.Wire Range : 12~10AWG

IEC Standard

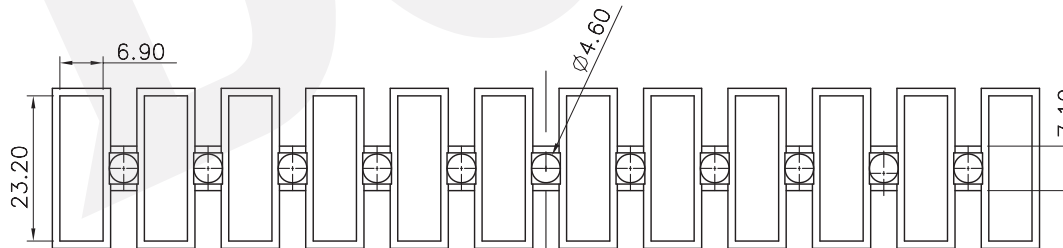
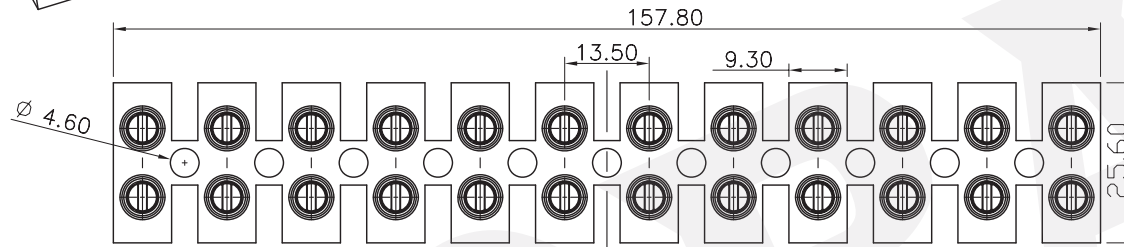
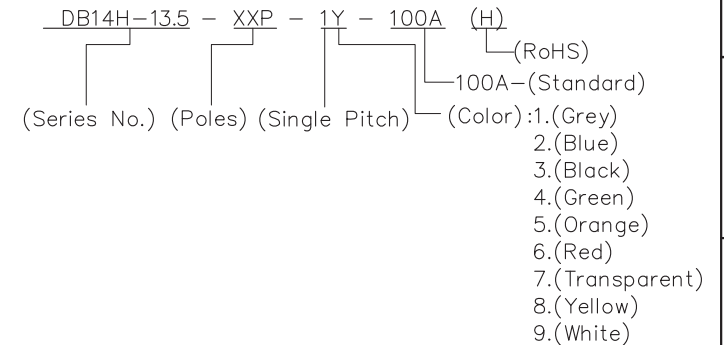
- 1.Rated Voltage/Current : 750V / 76A
- 2.Torque Value : M4 , 1.2N·m
- 3.Wire Range : 2.5~16mm<sup>2</sup>

NOTES2:

- 1.Dimension shall be interpreted per ASME Y14.5-2009
- 2.Pitch : 13.50mm, Poles : N=02~12P
- 3.Stripping length : 8mm
- 4.Withstanding Voltage : AC3000V/1Min.
- 5.Operating temperature: -40°C~+105°C
- 6.Undimensioned Tolerances:

Pitch range in mm	Nominal dimension range in mm						0.1/10		
	Over 6 TO 6	Over 10 TO 24	Over 30 TO 30	Over 60 TO 60	Over 100 TO 150	Over 150			
	±0.15	±0.20	±0.30	±0.30	±0.50	±0.70	±1.00	±1.30	±2'

7.RoHS Compliance



DETACHED LISTS	PART NO.:	/			
	APPD:	/			
	CHKD:	/			
	DRFT:	/			
	 THIRD ANGLE PROJECTION		DRAWING NO.:		/
		MM (INCH)		DO NOT SCALE DRAWING	
		SCALE		1:1	
		REV		DO	
		SHEET		1/1	
		NAME:		DB14H-13.5-XXP-1Y-00A(H)	
		TITLE:		CUSTOMER DRAWING	

**DORABO** 慈溪市地博电子有限公司  
CIXI DORABO ELECTRONICS CO.,LTD