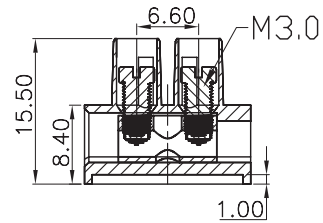
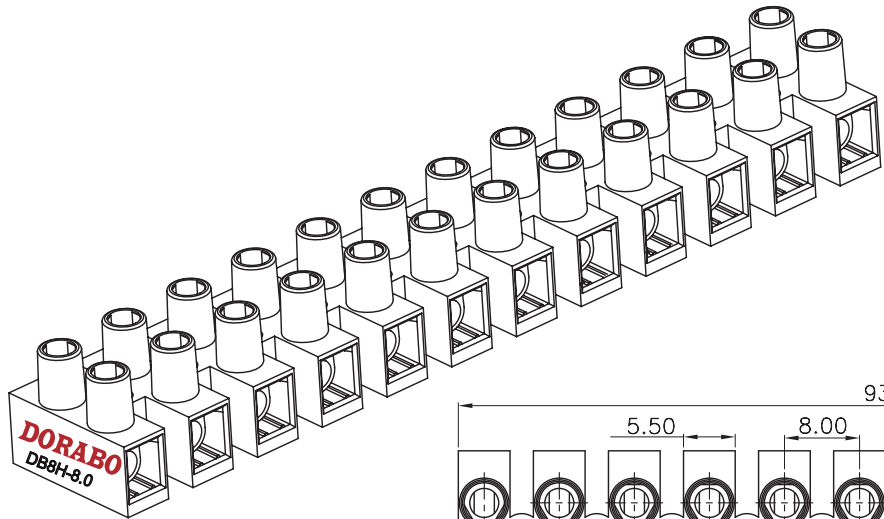


REVISION RECORD				
REV	ECN	DESCRIPTION	DRFT	DATE



NOTES1:

- UL Standard
- 1.Rated Voltage/Current : 300V / 20A
 - 2.Torque Value : M2.5 , 3.54Lb.in
 - 3.Wire Range : 20~12AWG

IEC Standard

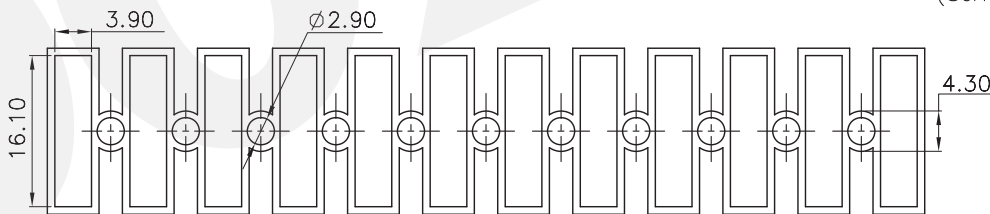
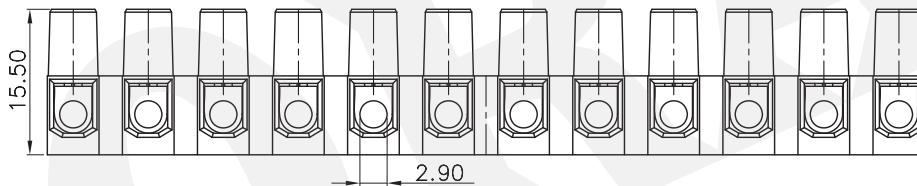
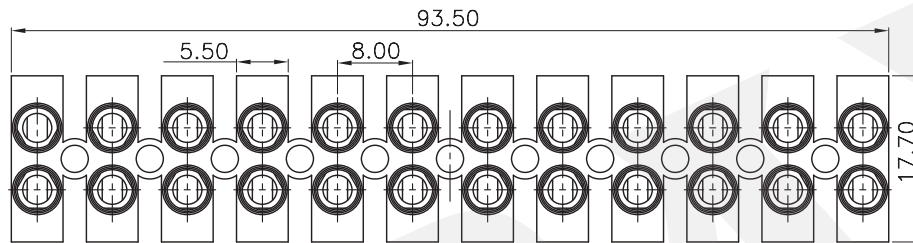
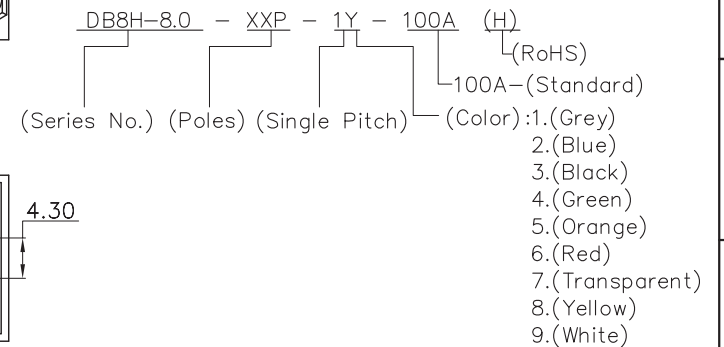
- 1.Rated Voltage/Current : 450V / 32A
- 2.Torque Value : M2.5 , 0.4N·m
- 3.Wire Range : 0.5~4.0mm²

NOTES2:

- 1.Dimension shall be interpreted per ASME Y14.5-2009
- 2.Pitch : 8.00mm, Poles : N=02~12P
- 3.Stripping length : 8mm
- 4.Withstanding Voltage : AC2000V/1Min.
- 5.Operating temperature: -40°C~+105°C
- 6.Undimensioned Tolerances:

Pitch Range In mm	Nominal Dimension Range In mm				0.1/10	D	
	Over 6 TO 10	Over 10 TO 24	Over 30 TO 60	Over 60 TO 150			
TO 6	±0.15	±0.20	±0.30	±0.50	±1.00	±1.30	±2'

7.RoHS Compliance



DETACHED LISTS	PART NO.:	/			
	APPD:	/			
	CHKD:	/			
	DRFT:	/			
	<p>THIRD ANGLE PROJECTION</p>		<p>DORABO 慈溪市地博电子有限公司 CIXI DORABO ELECTRONICS CO.,LTD</p>		
		NAME:		DB8H-8.0-XXP-1Y-00A(H)	
		TITLE:		CUSTOMER DRAWING	REV DO
		DRAWING NO.:		/	SHEET 1/1
		MM (INCH)		DO NOT SCALE DRAWING	SCALE 1:1