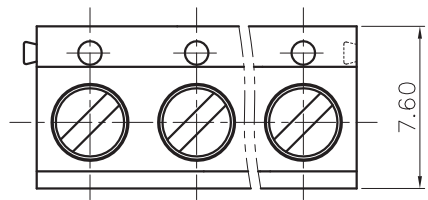


REVISION RECORD				
REV	ECN	DESCRIPTION	DRFT	DATE



NOTES1:

- UL Standard
 1. Rated Voltage/Current : 300V / 15A
 2. Torque Value : M2.5 , 2.60Lb.in
 3. Wire Range : 22~14AWG

IEC Standard

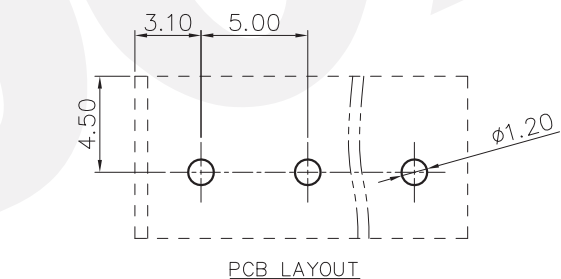
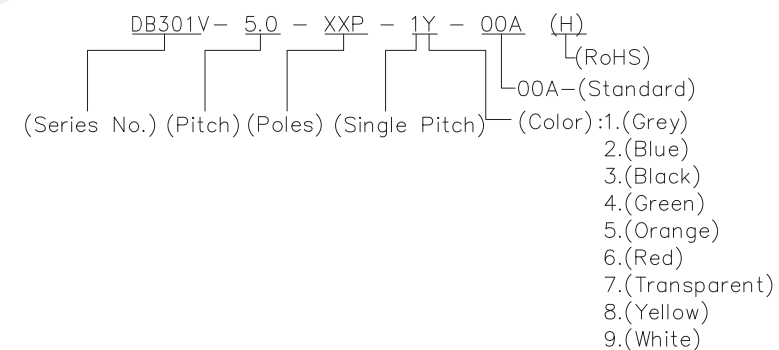
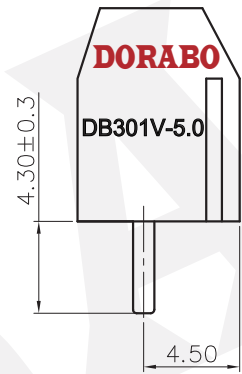
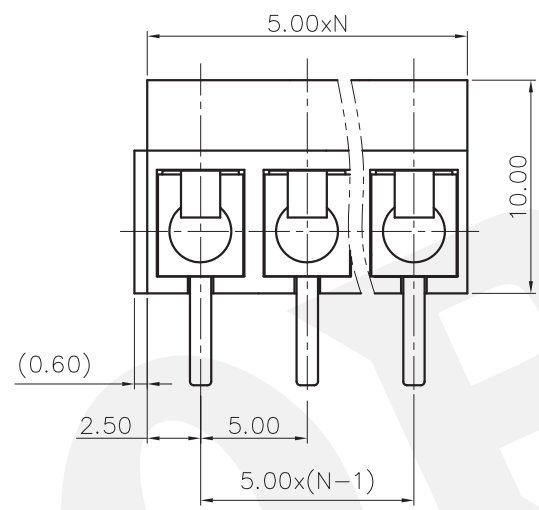
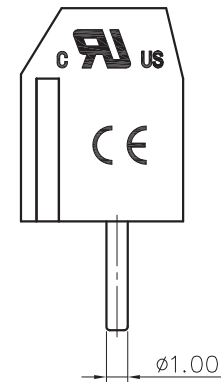
1. Rated Voltage/Current : 250V / 17.5A
 2. Torque Value : M2.5 , 0.29N.m
 3. Wire Range : 0.75~1.5mm²

NOTES2:

1. Dimension shall be interpreted per ASME Y14.5-2009
 2. Pitch : 5.0mm, Poles : N=02~24P
 3. Stripping length : 5~6mm
 4. Withstanding Voltage : AC2000V/1Min.
 5. Operating temperature : -30°C~+120°C
 6. Undimensioned Tolerances:

Pitch Range In mm		Nominal Dimension Range In mm			- / 0 / 0.1 / 10
TO	TO	TO	TO	TO	
6	10	6	10	150	±2'
6	24	30	60	150	
±0.15	±0.20	±0.30	±0.50	±1.00	±1.30

7. RoHS Compliance



DETACHED LISTS	PART NO.:	/				
	APPD:	/				
	CHKD:	/				
	DRFT:	/				
		THIRD ANGLE PROJECTION				
				DO NOT SCALE DRAWING	SCALE	1:1

DORABO 慈溪市地博电子有限公司
 CIXI DORABO ELECTRONICS CO.,LTD

NAME: DB301V-5.0-XXP-1Y-00A(H)

TITLE: CUSTOMER DRAWING REV DO

DRAWING NO.: / SHEET 1/1