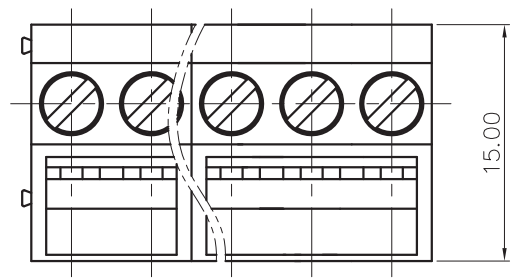


REVISION RECORD				
REV	ECN	DESCRIPTION	DRFT	DATE

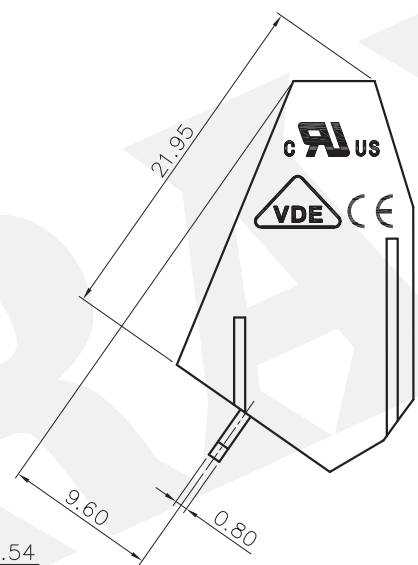
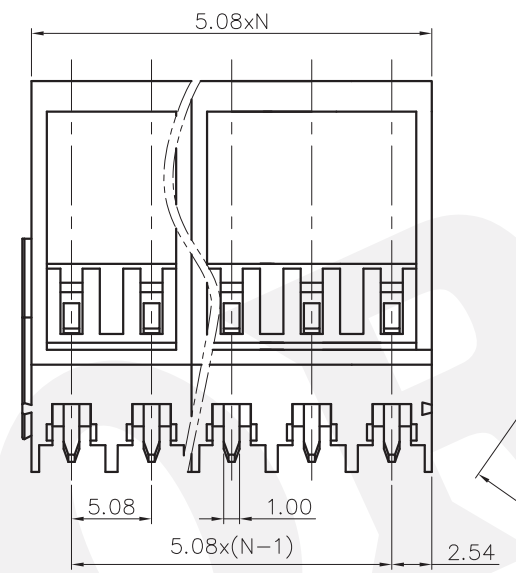
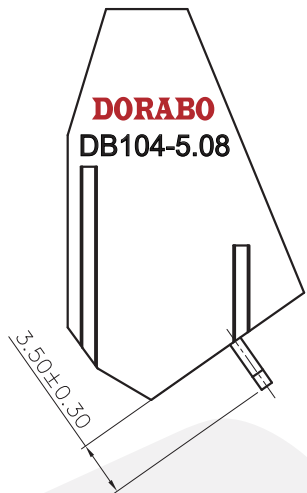


- NOTES1:
- UL Standard
 - 1.Rated Voltage/Current : 300V / 15A
 - 2.Torque Value : M3 ,4.43 Lb.in
 - 3.Wire Range : 24~14AWG
- IEC Standard
- 1.Rated Voltage/Current : 250V / 24A
 - 2.Torque Value : M3 , 0.5N.m
 - 3.Wire Range : 0.5~2.5mm²

- NOTES2:
- 1.Dimension shall be interpreted per ASME Y14.5-2009
 - 2.Pitch : 5.08mm, Poles : N=02~24P
 - 3.Stripping length : 5~6mm
 - 4.Withstanding Voltage : AC1500V/1Min.
 - 5.Operating temperature: -40°C~+105°C
 - 6.Undimensioned Tolerances:

Pitch range in mm	Nominal dimension range in mm							0.1/10
	Over 6 TO 10	Over 10 TO 24	Over 30 TO 30	Over 60 TO 60	Over 100 TO 150	Over 150	±	
±0.15	±0.20	±0.30	±0.30	±0.50	±0.70	±1.00	±1.30	±2'

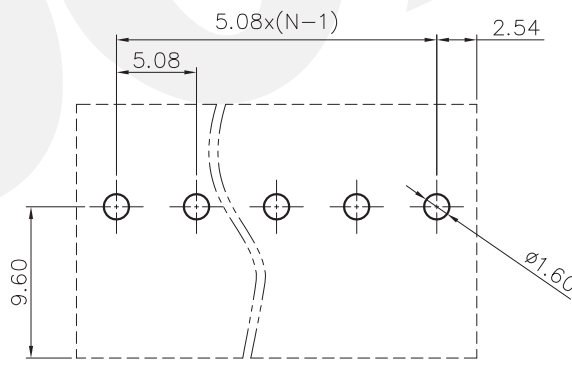
7.RoHS Compliance



DB104 - 5.08 - XXP - 1Y - 00A (H)

(Series No.) (Pitch) (Poles) (Single Pitch) (RoHS) 00A-(Standard)

(Color) :1.(Grey)2.(Blue)3.(Black)4.(Green)5.(Orange)6.(Red)7.(Transparent)8.(Yellow)9.(White)



PCB LAYOUT

DETACHED LISTS	PART NO.:	/			
	APPD:	/			
	CHKD:	/			
	DRFT:	/			
	NAME:	DORABO 慈溪市地博电子有限公司 CIXI DORABO ELECTRONICS CO.,LTD			
	TITLE:	CUSTOMER DRAWING	REV	DO	
	DRAWING NO.:	/	SHEET	1/1	
	THIRD ANGLE PROJECTION	MM (INCH)	DO NOT SCALE DRAWING	SCALE	1:1