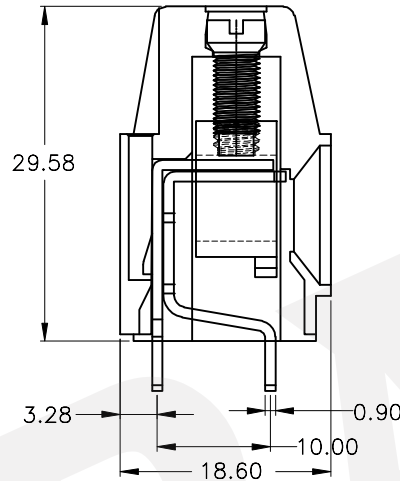
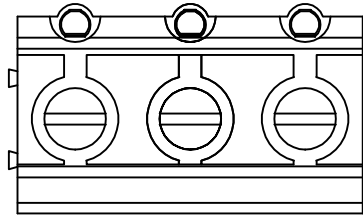


REVISION RECORD

REV	ECN	DESCRIPTION	DRFT	DATE



NOTES1:

- UL Standard  
 1. Rated Voltage/Current : 300V / 60A  
 2. Torque Value : M4 , 10.53Lb.in  
 3. Wire Range : 20~6AWG

IEC Standard

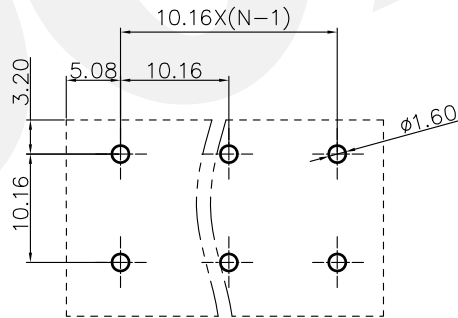
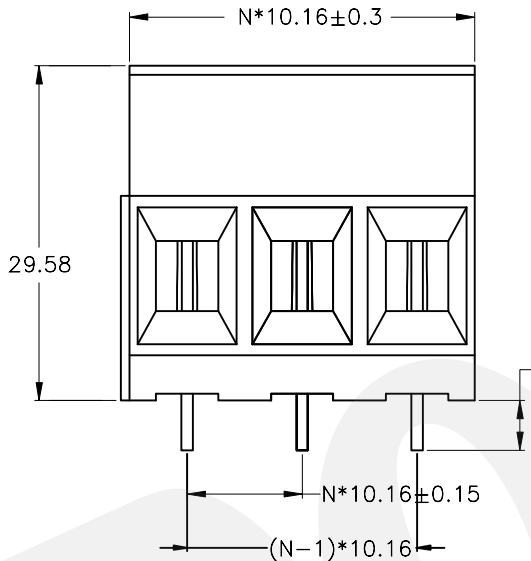
1. Rated Voltage/Current : 1000V / 65A  
 2. Torque Value : M4 , 1.2N.m  
 3. Wire Range : 2.5~16.0mm<sup>2</sup>

NOTES2:

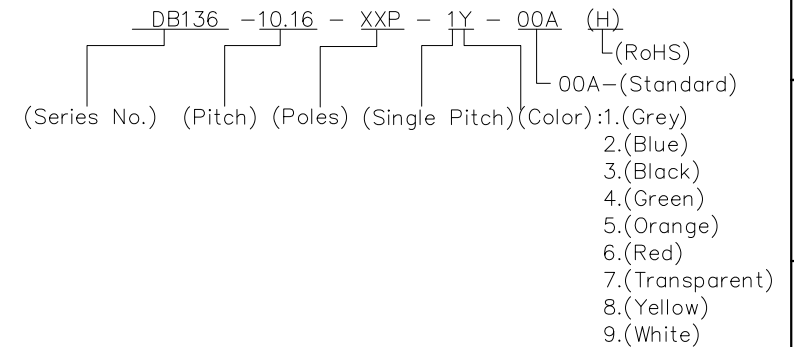
1. Dimension shall be interpreted per ASME Y14.5-2009  
 2. Pitch : 10.16mm, Poles : N=01~XXP  
 3. Stripping length : 10~11mm  
 4. Withstanding Voltage : AC3500V/1Min.  
 5. Operating temperature: -40°C~+105°C  
 6. Undimensioned Tolerances:

Pitch range in mm		Nominal dimension range in mm				—	∩	∇
TO	Over TO	Over TO	TO	Over TO	Over TO	Over TO	0.1/10	
6	10	10	30	60	100	150	<	
±0.15	±0.20	±0.30	±0.30	±0.50	±0.70	±1.00	±1.30	±2'

7. RoHS Compliance



PCB LAYOUT



DETACHED LISTS	PART NO.:	/			
	APPD:	/			
	CHKD:	/			
	DRFT:	/			
THIRD ANGLE PROJECTION		DRAWING NO.:		REV	DO
		/		SHEET	1/1
		MM (INCH)		SCALE	1:1
		DO NOT SCALE DRAWING			

**DORABO** 慈溪市地博电子有限公司  
CIXI DORABO ELECTRONICS CO.,LTD

DB136-10.16-XXP-1Y-00A(H)

CUSTOMER DRAWING



DRAWING NO.:

MM (INCH)

DO NOT SCALE DRAWING

SCALE 1:1