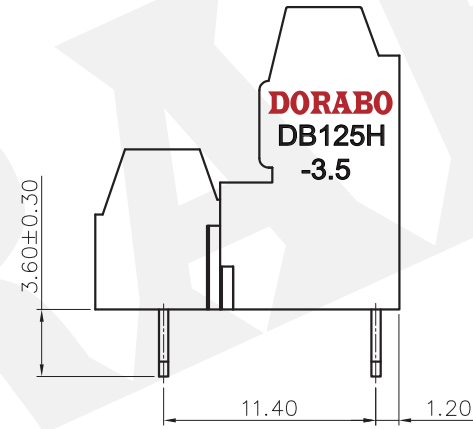
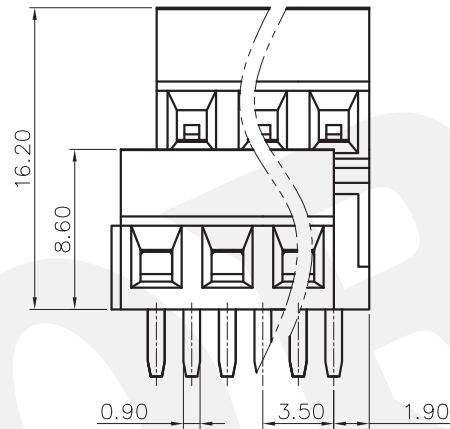
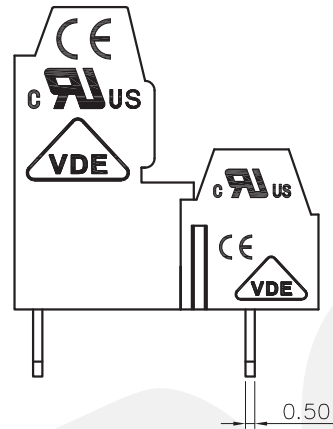
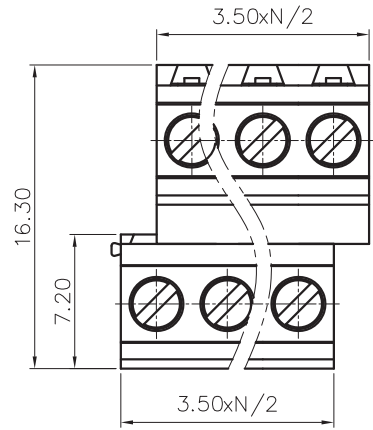


REVISION RECORD				
REV	ECN	DESCRIPTION	DRFT	DATE



NOTES1:

- UL Standard
 1.Rated Voltage/Current : 300V / 12A
 2.Torque Value : M2 , 1.77Lb.in
 3.Wire Range : 26~16AWG

IEC Standard

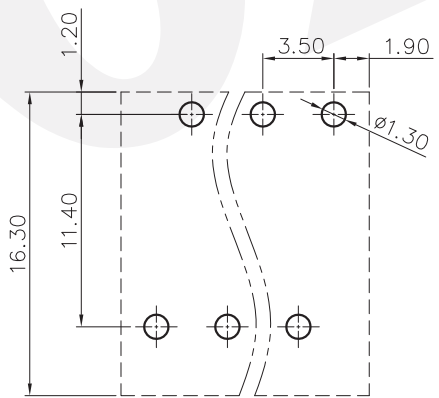
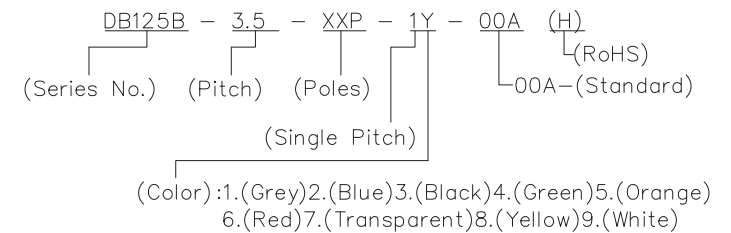
- 1.Rated Voltage/Current : 130V / 10A
 2.Torque Value : M2 , 0.2N.m
 3.Wire Range : 0.2~1.0mm²

NOTES2:

- 1.Dimension shall be interpreted per ASME Y14.5-2009
 2.Pitch : 3.5 mm, Poles : N=04~XXP
 3.Stripping length : 5~6mm
 4.Withstanding Voltage : AC1250V/1Min.
 5.Operating temperature: -40°C~+105°C
 6.Undimensioned Tolerances:

Pitch range in mm		Nominal dimension range in mm				□	∇									
TO	Over	TO	Over	TO	Over	0.1/10	≤									
6	10	10	24	30	60	100	150	±0.15	±0.20	±0.30	±0.30	±0.50	±0.70	±1.00	±1.30	±2'

7.RoHS Compliance



PCB LAYOUT

DETACHED LISTS	PART NO.:	DORABO 慈溪市地博电子有限公司 CIXI DORABO ELECTRONICS CO.,LTD			
	APPD:	NAME: DB125B-3.5-XXP-1Y-00A(H)			
	CHKD:	TITLE: CUSTOMER DRAWING		REV	DO
	DRFT:	DRAWING NO.:		SHEET	1/1
THIRD ANGLE PROJECTION		DO NOT SCALE DRAWING		SCALE	1:1