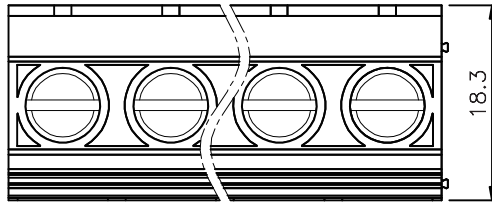
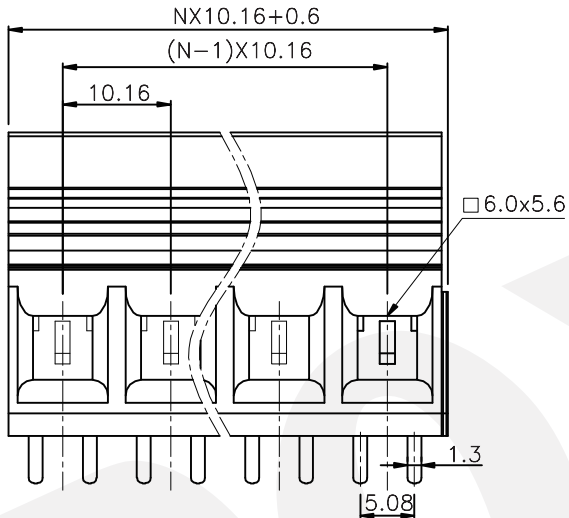


REVISION RECORD

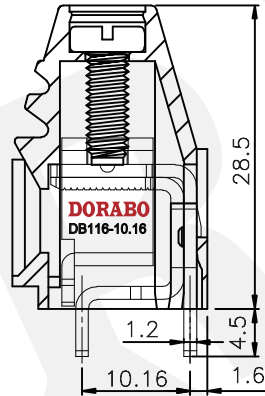
REV	ECN	DESCRIPTION	DRFT	DATE
-----	-----	-------------	------	------



N=Number of contacts



P.C.B. LAYOUT



NOTES1:

UL Standard

- 1.Rated Voltage/Current : 300V / 60A
- 2.Torque Value : M4 , 10.53Lb.in
- 3.Wire Range : 20~6AWG

IEC Standard

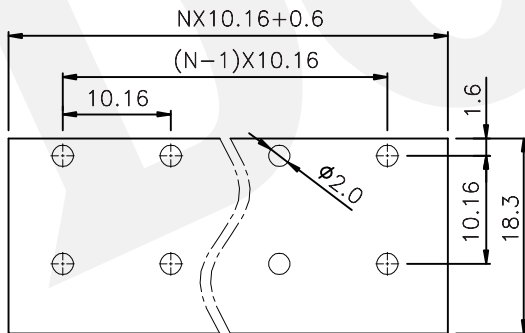
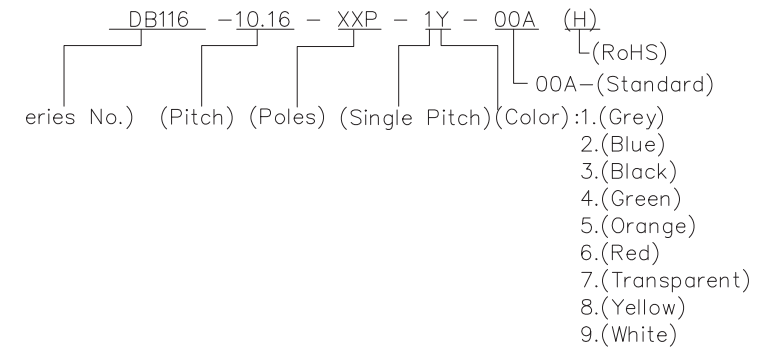
- 1.Rated Voltage/Current : 1000V / 65A
- 2.Torque Value : M4 , 1.2N.m
- 3.Wire Range : 2.5~16.0mm²

NOTES2:

- 1.Dimension shall be interpreted per ASME Y14.5-2009
- 2.Pitch : 10.16mm, Poles : N=01~XXP
- 3.Stripping length : 10~11mm
- 4.Withstanding Voltage : AC3500V/1Min.
- 5.Operating temperature: -40°C~+105°C
- 6.Undimensioned Tolerances:

Pitch range in mm			Nominal dimension range in mm				Tolerances	
TO	Over TO	Over TO	TO	Over TO	Over TO	Over TO	0.1/10	∠
6	10	24	30	60	100	150		
±0.15	±0.20	±0.30	±0.30	±0.50	±0.70	±1.00	±1.30	±2'

7.RoHS Compliance



DETACHED LISTS	PART NO.:	/			
	APPD:	/			
	CHKD:	/			
	DRFT:	/			
		DORABO 慈溪市地博电子有限公司 CIXI DORABO ELECTRONICS CO.,LTD		NAME: DB116-10.16-XXP-1Y-00A(H)	
<p>THIRD ANGLE PROJECTION</p>		TITLE: CUSTOMER DRAWING		REV	DO
		DRAWING NO.: /		SHEET	1/1
		MM (INCH)		DO NOT SCALE DRAWING	SCALE 1:1