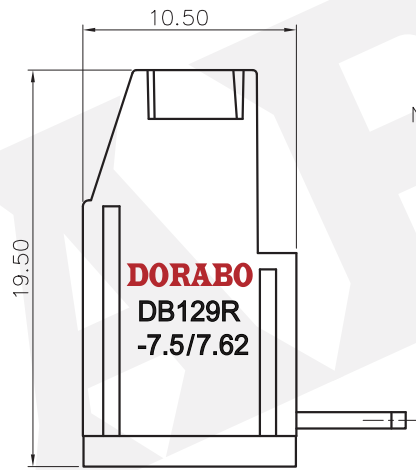
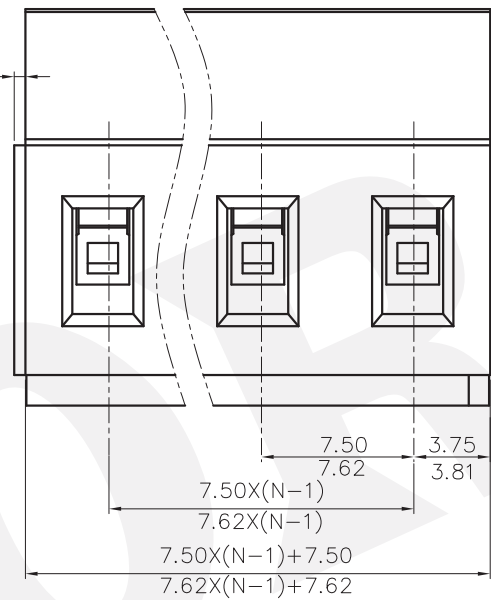
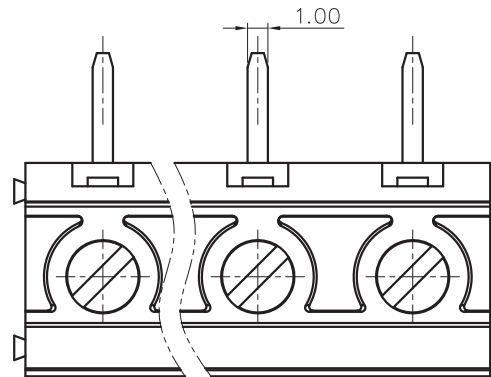


REVISION RECORD				
REV	ECN	DESCRIPTION	DRFT	DATE

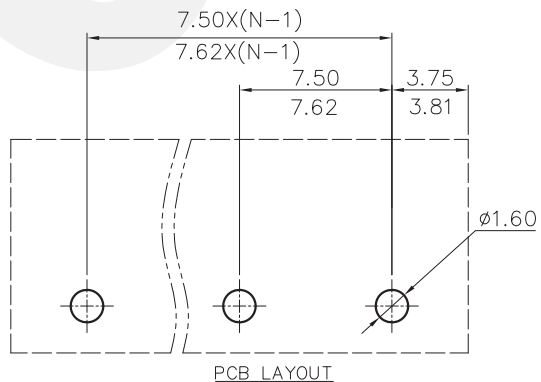
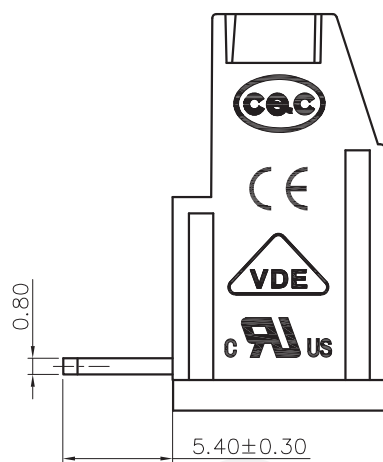


NOTES1:
 UL Standard
 1.Rated voltage/current : 300V / 20A
 2.Torque value : M3 , 4.43Lb.in
 3.Wire range : 26~12AWG
 IEC Standard
 1.Rated voltage/current : 450V / 20A
 2.Torque value : M3 , 0.5N·m
 3.Wire range : 0.5~2.5mm²

NOTES2:
 1.Dimension shall be interpreted per ASME Y14.5-2009
 2.Pitch : 7.50/7.62mm, Poles : N=02~24P
 3.Stripping length : 6~7mm
 4.Withstanding voltage : AC2000V/1Min.
 5.Operating temperature: -40°C~+105°C
 6.Undimensioned tolerances:

Pitch range in mm		Nominal dimension range in mm				0.1/10	
TO	Over	Over	TO	Over	Over	Over	
6	10	10	30	60	100	150	
±0.15	±0.20	±0.30	±0.30	±0.50	±0.70	±1.00	±1.30
							±2'

7.RoHS Compliance



DB129R - 7.5/7.62 - XXP - 1Y - 00A (H)
 (Series No.) (Pitch) (Poles) (Single Pitch) (RoHS) 00A-(Standard)
 (Color):1.(Grey) 2.(Blue) 3.(Black) 4.(Green) 5.(Orange) 6.(Red) 7.(Transparent) 8.(Yellow) 9.(White)

DETACHED LISTS	PART NO.:	/			
	APPD:	/			
	CHKD:	/			
	DRFT:	/			
	NAME: DORABO 慈溪市地博电子有限公司 CIXI DORABO ELECTRONICS CO.,LTD		DB129R-7.5/7.62-XXP-1Y-00A(H)		
	TITLE: CUSTOMER DRAWING		REV	DO	
	DRAWING NO.:		SHEET	1/1	
	THIRD ANGLE PROJECTION		SCALE	1:1	
	MM (INCH)		DO NOT SCALE DRAWING		