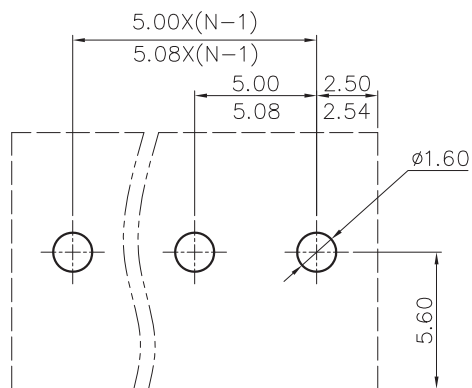
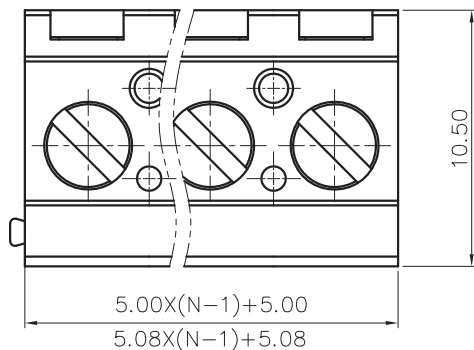


REVISION RECORD

REV	ECN	DESCRIPTION	DRFT	DATE
-----	-----	-------------	------	------



PCB LAYOUT



DB129V - 5.0/5.08 - XXP - 1Y - 00A (H)
 (Series No.) (Pitch) (Poles) (Single Pitch) (RoHS)
 00A-(Standard)
 (Color): 1.(Grey) 2.(Blue) 3.(Black) 4.(Green) 5.(Orange)
 6.(Red) 7.(Transparent) 8.(Yellow) 9.(White)

NOTES1:

UL Standard

1. Rated voltage/current : 300V / 20A
2. Torque value : M3 , 4.43Lb.in
3. Wire range : 26~12AWG

IEC Standard

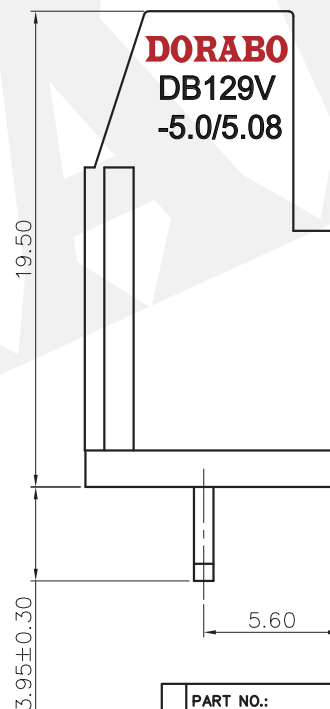
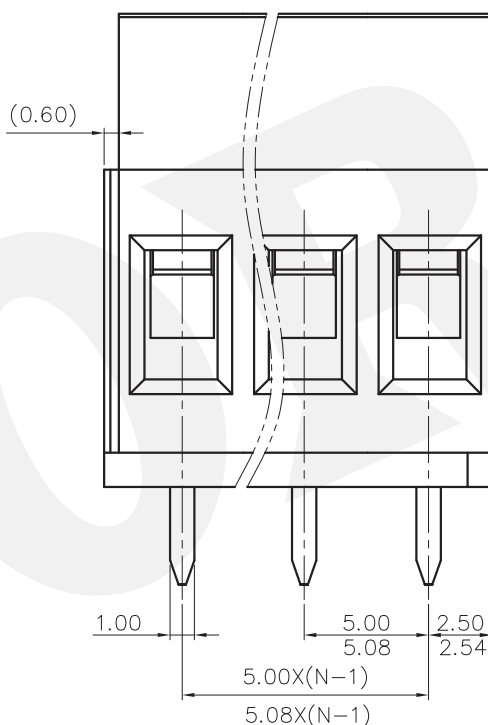
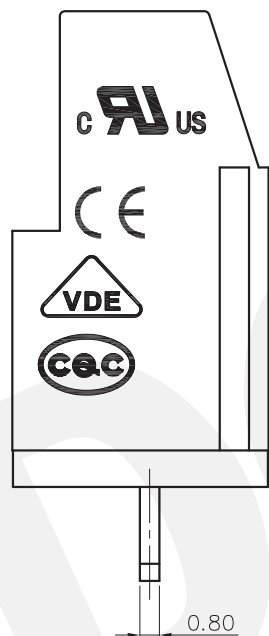
1. Rated voltage/current : 250V / 20A
2. Torque value : M3 , 0.5N·m
3. Wire range : 2.5/0.5~2.5mm²

NOTES2:

1. Dimension shall be interpreted per ASME Y14.5-2009
2. Pitch : 5.0/5.08mm, Poles : N=02~24P
3. Stripping length : 6~7mm
4. Withstanding voltage : AC2000V/1Min.
5. Operating temperature: -40°C~+105°C
6. Undimensioned tolerances:

Pitch range in mm		Nominal dimension range in mm						0.1/10
TO 6	Over 6 TO 10	Over 10 TO 24	Over 30 TO 60	Over 60 TO 100	Over 100 TO 150	Over 150	0.1/10	
±0.15	±0.20	±0.30	±0.30	±0.50	±0.70	±1.00	±1.30	

7. RoHS Compliance



DETACHED LISTS	PART NO.:	/		
	APPD:	/		
	CHKD:	/		
	DRFT:	/		
	DRAWING NO.:		/	
THIRD ANGLE PROJECTION		DO NOT SCALE DRAWING		
NAME:		DB129V-5.0/5.08-XXP-1Y-00A(H)		
TITLE:		CUSTOMER DRAWING	REV	
SCALE:		1:1	DO	
SHEET:		1/1	DATE	

DORABO 慈溪市地博电子有限公司
CIXI DORABO ELECTRONICS CO.,LTD

TITLE: CUSTOMER DRAWING

DRAWING NO.: / SHEET 1/1

SCALE: 1:1