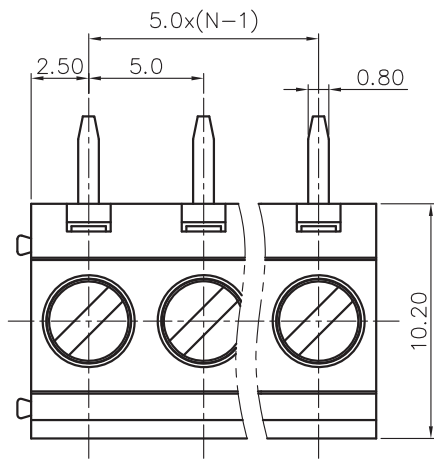


REVISION RECORD				
REV	ECN	DESCRIPTION	DRFT	DATE



NOTES1:

UL Standard

- 1.Rated voltage/current : 300V / 20A
- 2.Torque value : M2.5 , 3.54Lb.in
- 3.Wire range : 30~12AWG

IEC Standard

- 1.Rated voltage/current : 250V / 18A
- 2.Torque value : M2.5 , 0.4N·m
- 3.Wire range : 2.5mm²

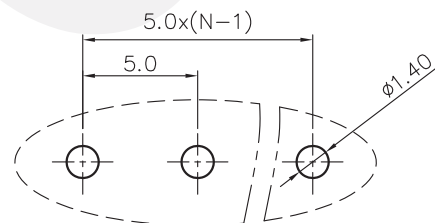
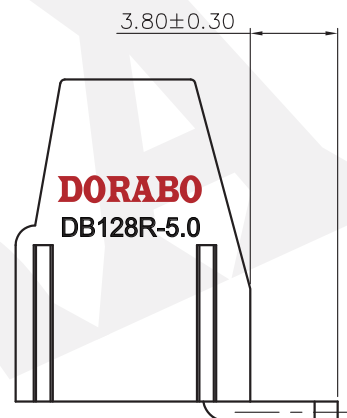
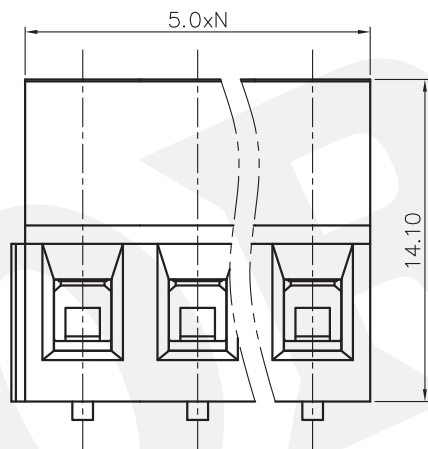
NOTES2:

- 1.Dimension shall be interpreted per ASME Y14.5-2009
- 2.Pitch : 5.00mm, Poles : N=02~XXP
- 3.Stripping length : 6~7mm
- 4.Withstanding voltage : AC2000V/1Min
- 5.Operating temperature : -40°C~+105°C
- 6.Undimensioned tolerances:

Pitch range in mm		Nominal dimension range in mm					—	∩	□
TO	Over TO	TO	TO	TO	TO	TO	0.1/10		
6	10	24	30	60	100	150	<		
±0.15	±0.20	±0.30	±0.30	±0.50	±0.70	±1.00	±1.30	±2'	

7.RoHS Compliance

DB128R - 5.0 - XXP - 1Y - 00A (H)
 (Series No.) (Pitch) (Poles) (Single Pitch) (RoHS)
 00A-(Standard)
 (Color):1.(Grey)2.(Blue)3.(Black)4.(Green)5.(Orange)
 6.(Red)7.(Transparent)8.(Yellow)9.(White)



PCB LAYOUT

DETACHED LISTS	PART NO.:	/			
	APPD:	/			
	CHKD:	/			
	DRFT:	/			
	DORABO 慈溪市地博电子有限公司 CIXI DORABO ELECTRONICS CO.,LTD		NAME: DB128R-5.0-XXP-1Y-00A(H)		
	TITLE: CUSTOMER DRAWING		REV	DO	
	DRAWING NO.:		SHEET	1/1	
	THIRD ANGLE PROJECTION 		MM (INCH)	DO NOT SCALE DRAWING	SCALE 1:1