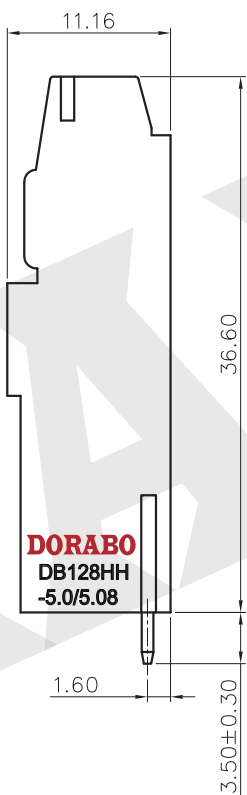
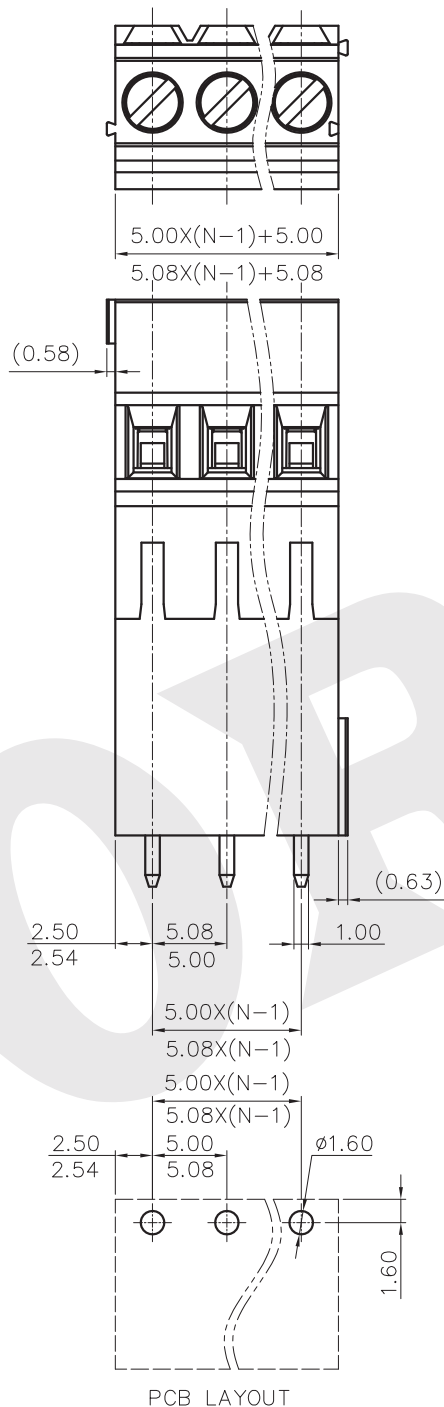
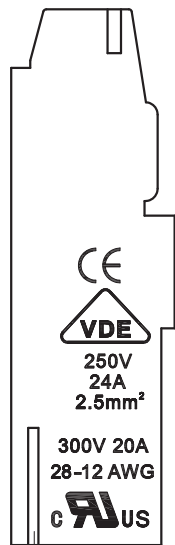


REVISION RECORD				
REV	ECN	DESCRIPTION	DRFT	DATE



- NOTES1:
- UL Standard
 - 1.Rated voltage/current : 300V / 20A
 - 2.Torque value : M2.5 , 3.54Lb.in
 - 3.Wire range : 28~12AWG
- IEC Standard
- 1. Rated Voltage/Current : 250V / 24A
 - 2.Torque value : M2.5 , 0.4N·m
 - 3.Wire range : 2.5mm²

- NOTES2:
- 1.Dimension shall be interpreted per ASME Y14.5-2009
 - 2.Pitch : 5.0/5.08mm, Poles : N=02~24P
 - 3.Stripping length : 6~7mm
 - 4.Withstanding Voltage : AC2000V/1Min.
 - 5.Operating temperature: -40°C~+105°C
 - 6.Undimensioned tolerances:

Pitch range in mm		Nominal dimension range in mm				Tolerance	
To	Over	To	Over	To	Over	0.1/10	0.1/10
6	10	30	60	100	150	<	<
±0.15	±0.20	±0.30	±0.50	±0.70	±1.00	±1.30	±2'

7.RoHS Compliance

DB128HH - 5.0/5.08 - XXP - 1Y - 00A (H)

(Series No.) (Pitch) (Poles) (Single Pitch) (RoHS) 00A--(Standard)

(Color):1.(Grey) 2.(Blue) 3.(Black) 4.(Green) 5.(Orange) 6.(Red) 7.(Transparent) 8.(Yellow) 9.(White)

DETACHED LISTS	PART NO.:	/			
	APPD:	/			
	CHKD:	/			
	DRFT:	/			
		THIRD ANGLE PROJECTION		DO NOT SCALE DRAWING	
		DRAWING NO.:		REV	DO
		/		SHEET	1/1
		MM (INCH)		SCALE	1:1

DORABO 慈溪市地博电子有限公司
CIXI DORABO ELECTRONICS CO.,LTD

NAME: DB128HH-5.0/5.08-XXP-1Y-00A(H)

TITLE: CUSTOMER DRAWING

SCALE: 1:1