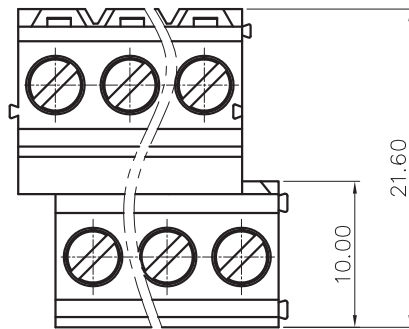
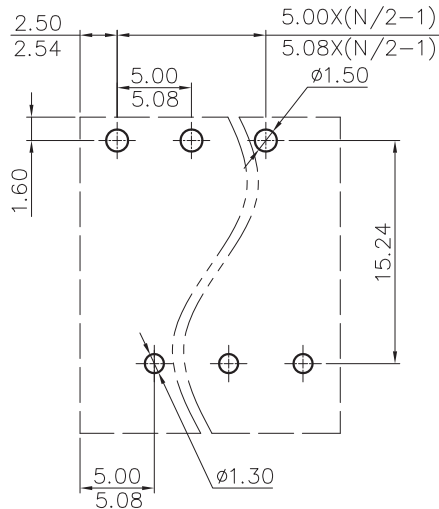


REVISION RECORD

REV	ECN	DESCRIPTION	DRFT	DATE
-----	-----	-------------	------	------



DB128A - 5.0/5.08 - XXP - 1Y - 00A (H)  
 (Series No.) (Pitch) (Poles) (Single Pitch) (RoHS)  
 00A-(Standard)  
 (Color): 1.(Grey) 2.(Blue) 3.(Black) 4.(Green) 5.(Orange)  
 6.(Red) 7.(Transparent) 8.(Yellow) 9.(White)

NOTES1:

UL Standard

1. Rated voltage/current : 300V / 20A
2. Torque value : M2.5 , 3.54Lb.in
3. Wire range : 28~12AWG

IEC Standard

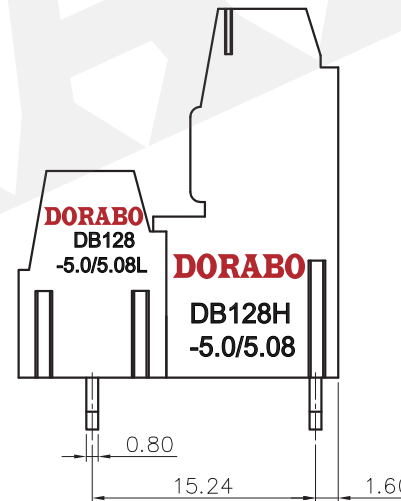
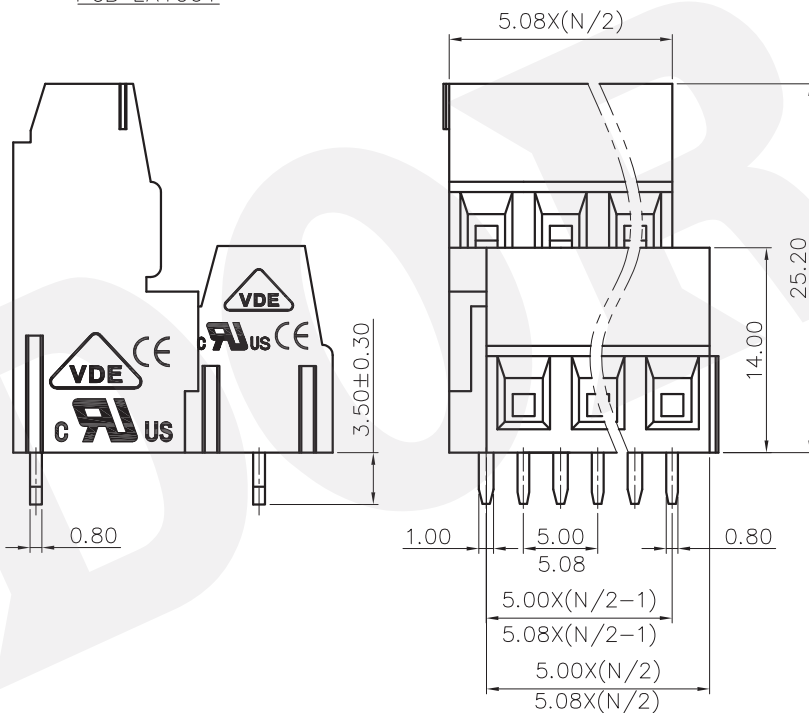
1. Rated voltage/current : 250V / 18A
2. Torque value : M2.5 , 0.4N·m
3. Wire range : 1.0~2.5mm<sup>2</sup>

NOTES2:

1. Dimension shall be interpreted per ASME Y14.5-2009
2. Pitch : 5.0/5.08mm, Poles : N=04~48P
3. Stripping length : 6~7mm
4. Withstanding voltage : AC2000V/1Min.
5. Operating temperature : -40°C~+105°C
6. Undimensioned tolerances:

Pitch range in mm	Nominal dimension range in mm						□	∩	∠
	Over 6 TO 10	Over 10 TO 24	Over 30 TO 60	Over 60 TO 100	Over 100 TO 150	Over 150			
±0.15	±0.20	±0.30	±0.30	±0.50	±0.70	±1.00	±1.30	±2'	

7. RoHS Compliance



DETACHED LISTS	PART NO.:	<b>DORABO</b> 慈溪市地博电子有限公司 CIXI DORABO ELECTRONICS CO.,LTD			
	APPD:	NAME: DB128A-5.0/5.08-XXP-1Y-00A(H)			
	CHKD:	TITLE: CUSTOMER DRAWING			
	DRFT:	DRAWING NO.:		REV	DO
	THIRD ANGLE PROJECTION		MM (INCH)	DO NOT SCALE DRAWING	SCALE 1:1