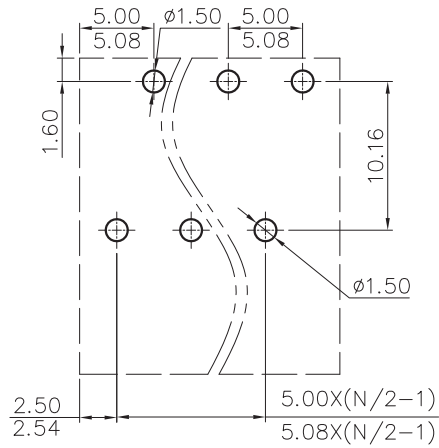
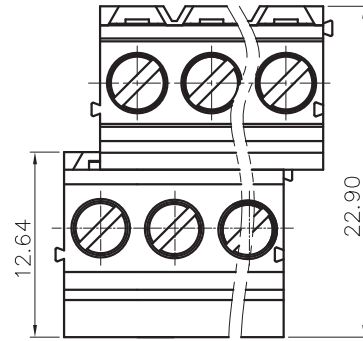


REVISION RECORD

REV	ECN	DESCRIPTION	DRFT	DATE
-----	-----	-------------	------	------



PCB LAYOUT



DB128B2 - 5.0/5.08 - XXP - 1Y - 00A (H)
 (Series No.) (Pitch) (Poles) (Single Pitch) (RoHS)
 00A-(Standard)
 (Color): 1.(Grey) 2.(Blue) 3.(Black) 4.(Green) 5.(Orange)
 6.(Red) 7.(Transparent) 8.(Yellow) 9.(White)

NOTES1:

UL Standard

1. Rated voltage/current : 300V / 20A
2. Torque value : M2.5 , 3.54Lb.in
3. Wire range : 28~12AWG

IEC Standard

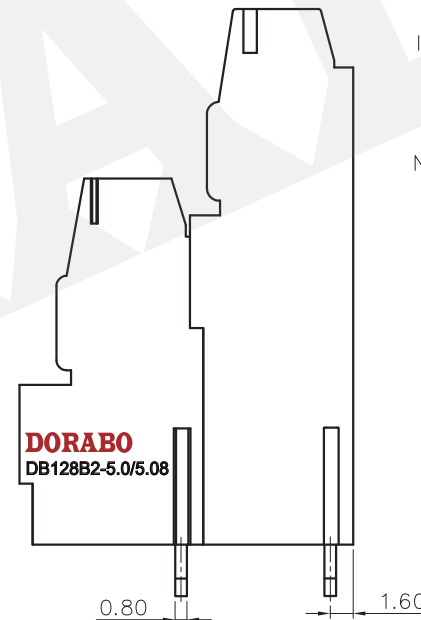
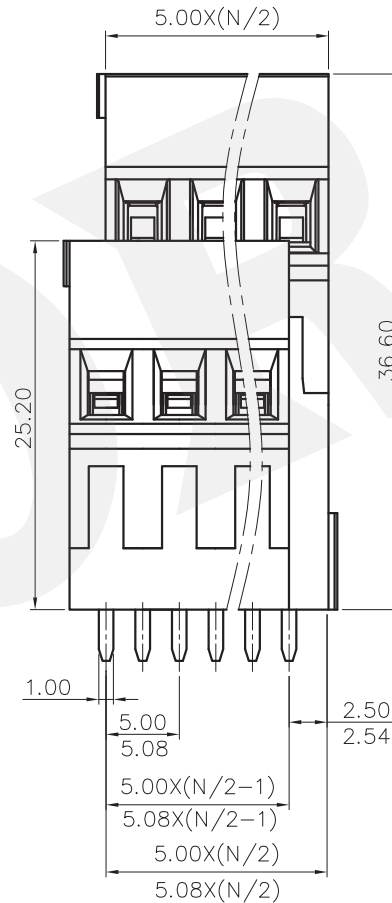
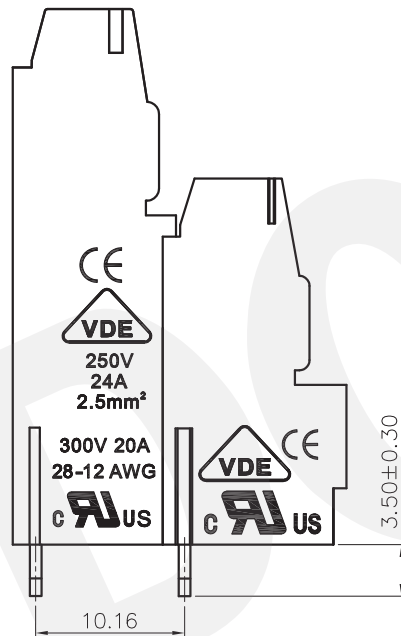
1. Rated voltage/current : 250V / 18A
2. Torque value : M2.5 , 0.4N·m
3. Wire range : 1.0~2.5mm²

NOTES2:

1. Dimension shall be interpreted per ASME Y14.5-2009
2. Pitch : 5.0/5.08mm, Poles : N=04~48P
3. Stripping length : 6~7mm
4. Withstanding voltage : AC2000V/1Min.
5. Operating temperature: -40°C~+105°C
6. Undimensioned tolerances:

Pitch range in mm	Nominal dimension range in mm						0.1/10		
	Over 6 TO 10	Over 10 TO 24	Over 24 TO 30	Over 30 TO 60	Over 60 TO 100	Over 100 TO 150			
	±0.15	±0.20	±0.30	±0.30	±0.50	±0.70	±1.00	±1.30	±2'

7. RoHS Compliance



DETACHED LISTS	PART NO.:	/		
	APPD:	/		
	CHKD:	/		
	DRFT:	/		
THIRD ANGLE PROJECTION		NAME: DORABO 慈溪市地博电子有限公司 CIXI DORABO ELECTRONICS CO.,LTD		
DRAWING NO.:		TITLE: CUSTOMER DRAWING		
MM (INCH)		REV		
DO NOT SCALE DRAWING		DO		
SCALE		SHEET		
1:1		1/1		