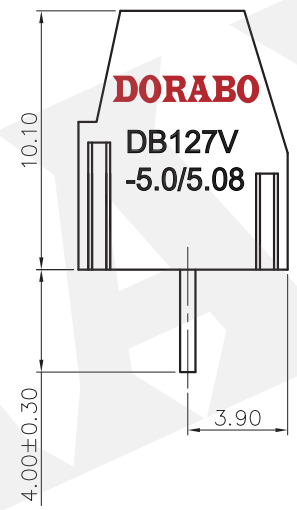
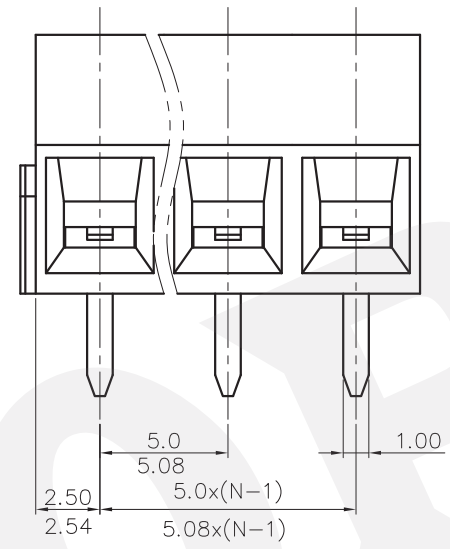
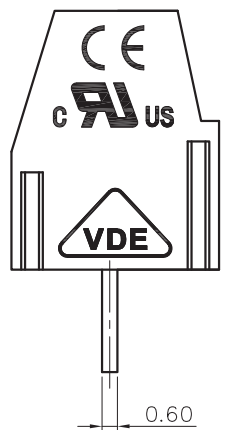
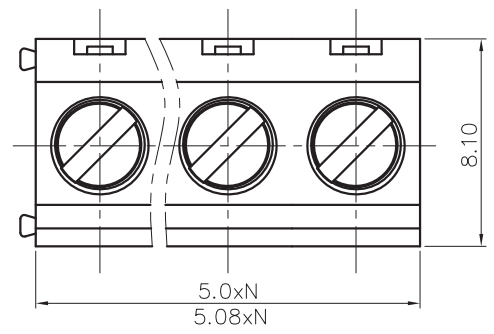


REVISION RECORD				
REV	ECN	DESCRIPTION	DRFT	DATE

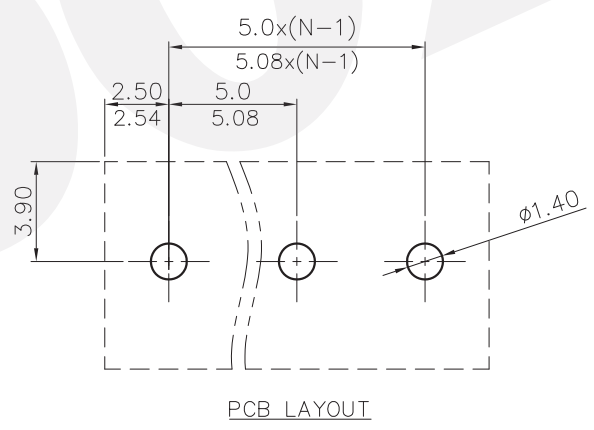


NOTES1:
 UL Standard
 1.Rated Voltage/Current : 300V / 12A
 2.Torque Value : M3 , 5.10Lb.in
 3.Wire Range : 26~14AWG
 IEC Standard
 1.Rated Voltage/Current : 250V / 15A
 2.Torque Value : M3 , 0.5N.m
 3.Wire Range : 1.5mm²
 NOTES2:
 1.Dimension shall be interpreted per ASME Y14.5-2009
 2.Pitch : 5.0/5.08mm, Poles : N=02~24P
 3.Stripping length : 5mm
 4.Withstanding Voltage : AC2000V/1Min.
 5.Operating temperature: -40°C~+105°C
 6.Undimensioned Tolerances:

Pitch range in mm		Nominal dimension range in mm				Tolerances	
To	Over	To	Over	To	Over	0.1/10	2'
6	10	6	10	60	150	≤	
±0.15	±0.20	±0.30	±0.50	±0.70	±1.00	±1.30	±2'

7.RoHS Compliance

DB127V - 5.0/5.08 - XXP - 1Y - 00A (H)
 (Series No.) (Pitch) (Poles) (Single Pitch) (RoHS) 00A-(Standard)
 (Color) :1.(Grey)2.(Blue)3.(Black)4.(Green)5.(Orange)6.(Red)7.(Transparent)8.(Yellow)9.(White)



DETACHED LISTS	PART NO.:	DORABO 慈溪市地博电子有限公司 CIXI DORABO ELECTRONICS CO.,LTD			
	APPD:	NAME: DB127V-5.0/5.08-XXP-1Y-00A(H)			
	CHKD:	TITLE: CUSTOMER DRAWING			
	DRFT:	DRAWING NO.:		REV	DO
THIRD ANGLE PROJECTION		MM (INCH)		SHEET	1/1
DO NOT SCALE DRAWING				SCALE	1:1