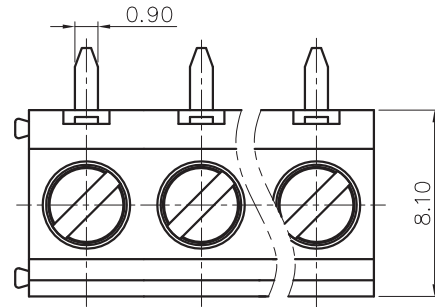


REVISION RECORD				
REV	ECN	DESCRIPTION	DRFT	DATE



NOTES1:

- UL Standard
 1. Rated Voltage/Current : 300V / 12A
 2. Torque Value : M2.5 , 3.54Lb.in
 3. Wire Range : 26~14AWG

IEC Standard

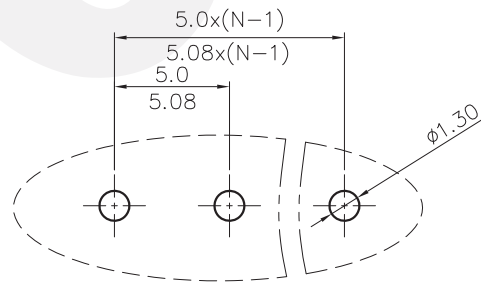
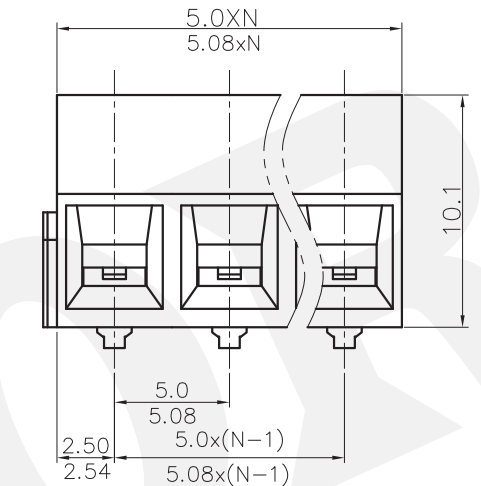
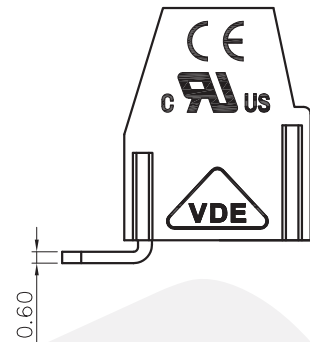
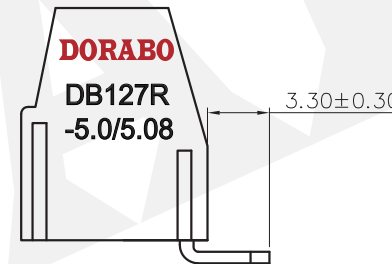
1. Rated Voltage/Current : 250V / 15A
 2. Torque Value : M2.5 , 0.4N.m
 3. Wire Range : 0.75~1.5mm²

NOTES2:

1. Dimension shall be interpreted per ASME Y14.5-2009
 2. Pitch : 5.0mm, Poles : N=02~XXP
 3. Stripping length : 6~7mm
 4. Withstanding Voltage : AC2000V/1Min.
 5. Operating temperature : -40°C~+105°C
 6. Undimensioned Tolerances:

Pitch range in mm		Nominal dimension range in mm					□	∠	∇
TO	Over	TO	Over	TO	Over	TO	Over	TO	
6	10	30	60	100	150	0.1	10		
±0.15	±0.20	±0.30	±0.30	±0.50	±0.70	±1.00	±1.30	±2'	

7. RoHS Compliance



PCB LAYOUT

DB127R - 5.0/5.08 - XXP - 1Y - 00A (H)
 (Series No.) (Pitch) (Poles) (Single Pitch) (RoHS) 00A--(Standard)
 (Color) : 1.(Grey) 2.(Blue) 3.(Black) 4.(Green) 5.(Orange) 6.(Red) 7.(Transparent) 8.(Yellow) 9.(White)

DETACHED LISTS	PART NO.:	/			
	APPD:	/			
	CHKD:	/			
	DRFT:	/			
		DORABO 慈溪市地博电子有限公司 CIXI DORABO ELECTRONICS CO.,LTD			
		NAME: DB127R-5.0/5.08-XXP-1Y-00A(H)			
		TITLE: CUSTOMER DRAWING		REV	DO
		DRAWING NO.: /		SHEET	1/1
		THIRD ANGLE PROJECTION		SCALE	1:1

DO NOT SCALE DRAWING