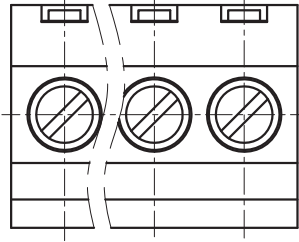


REVISION RECORD				
REV	ECN	DESCRIPTION	DRFT	DATE



NOTES1:

UL Standard

1. Rated voltage/current : 150V / 6A
2. Torque value : M1.6 , 1.29Lb.in
3. Wire range : 26~18AWG

IEC Standard

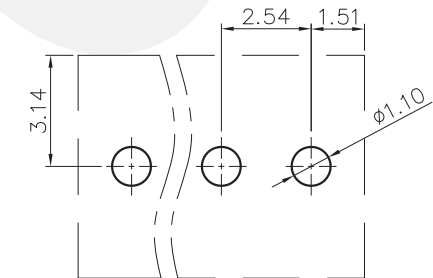
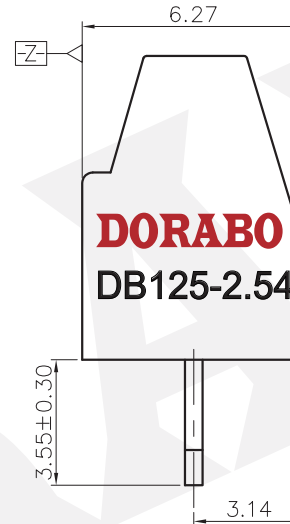
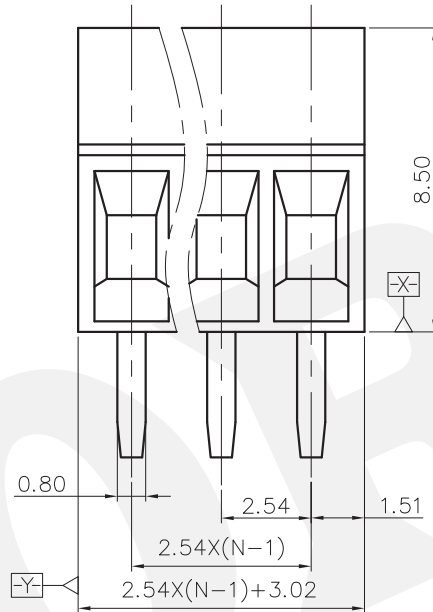
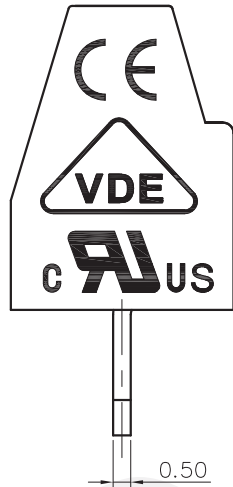
1. Rated voltage/current : 130V / 8A
2. Torque value : M1.6 , 0.15N·m
3. Wire range : 0.5~1.0mm²

NOTES2:

1. Dimension shall be interpreted per ASME Y14.5-2009
2. Pitch : 2.54mm, Poles : N=02-12P
3. Stripping length : 4~5mm
4. Withstanding voltage : AC1250V/1Min
5. Operating temperature: -40°C~+105°C
6. Undimensioned tolerances:

Pitch range in mm	Nominal dimension range in mm						0.1/10	
	Over 6 TO 10	Over 10 TO 24	Over 30 TO 60	Over 60 TO 100	Over 100 TO 150	Over 150		
±0.15	±0.20	±0.30	±0.30	±0.50	±0.70	±1.00	±1.30	±2'

7. RoHS Compliance



P.C.B. LAYOUT

DB125 - 2.54 - XXP - 1Y - 00A (H)
 (Series No.) (Pitch) (Poles) (Single Pitch) (Color): 1.(Grey) 2.(Blue) 3.(Black) 4.(Green) 5.(Orange) 6.(Red) 7.(Transparent) 8.(Yellow) 9.(White)
 (RoHS)
 00A-(Standard)

DETACHED LISTS	PART NO.:	/			
	APPD:	/			
	CHKD:	/			
	DRFT: YXX 2018/07/13	TITLE:	CUSTOMER DRAWING	REV	DO
		DRAWING NO.:	/	SHEET	1/1
		MM (INCH)	DO NOT SCALE DRAWING	SCALE	1:1



THIRD ANGLE PROJECTION