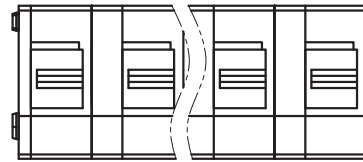


REVISION RECORD

REV	ECN	DESCRIPTION	DRFT	DATE
-----	-----	-------------	------	------



NOTES1:

UL Standard

1.Rated voltage/current : 300V / 5A

2.Wire range : 20~18AWG

IEC Standard

1.Rated voltage/current : 450V / 15A

2.Wire range : 0.2~1.5mm²(str)

0.2~2.5mm²(sol)

NOTES2:

1.Dimension shall be interpreted per ASME Y14.5-2009

2.Pitch : 7.50mm, Poles : N=01~XXP

3.Stripping length : 9~10mm

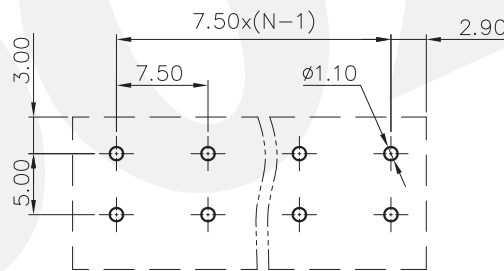
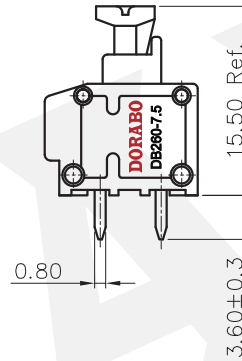
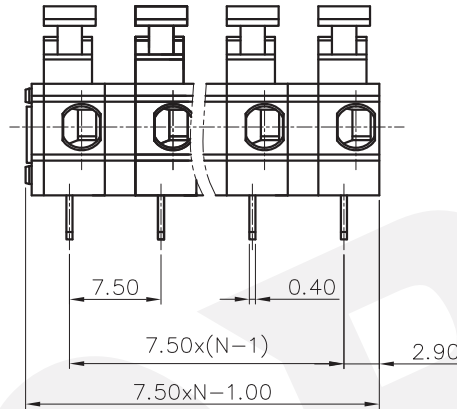
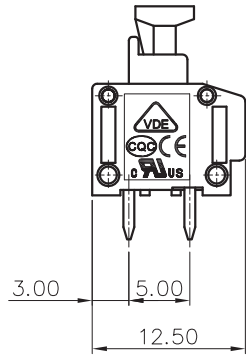
4.Withstanding voltage : AC2500V/1Min.

5.Operating temperature: -40°C~+105°C

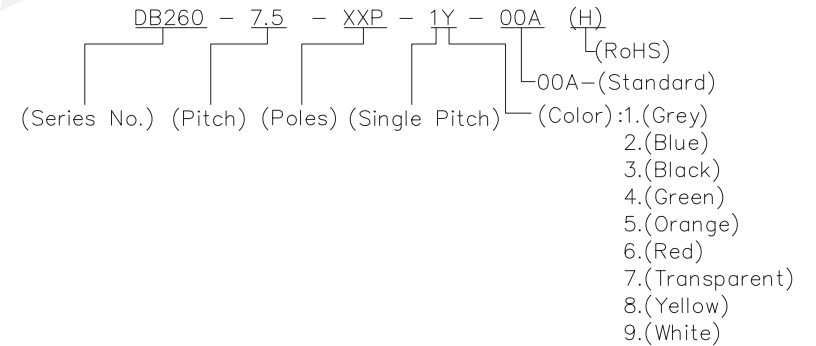
6.Undimensioned tolerances:

Pitch range in mm		Nominal dimension range in mm						—	∠
To	Over	To	Over	To	Over	To	Over	0.1/10	
6	10	10	24	30	60	100	150	<	
±0.15	±0.20	±0.30	±0.30	±0.50	±0.70	±1.00	±1.30	±2'	

7.RoHS Compliance



PCB LAYOUT



DETACHED LISTS	PART NO.:	/			
	APPD:	/			
	CHKD:	/			
	DRFT:	/			
		DORABO 慈溪市地博电子有限公司 CIXI DORABO ELECTRONICS CO.,LTD			
		NAME: DB260-7.5-XXP-1Y-00A(H)			
		TITLE: CUSTOMER DRAWING		REV	DO
		DRAWING NO.: /		SHEET	1/1
		MM (INCH)		DO NOT SCALE DRAWING	SCALE 1:1

