

REVISION RECORD

REV	ECN	DESCRIPTION	DRFT	DATE

NOTES1:

UL Standard

- 1.Rated Voltage/Current : 300V / 30A
- 2.Withstanding Voltage : AC1600V/1Min.
- 3.Torque Value : M3 , 4.43Lb.in
- 4.Wire Range : 30~10AWG

IEC Standard

1. Pollution Degree	2
Overvoltage Category	III
Rate Impulse Voltage(KV)	4.0KV
Rate Voltage(V)	400V
Rate Current(A)	32A

- 2.Torque Value : M3 , 0.5N.m
- 3.Wire Range : 0.2~4.0mm²

NOTES2:

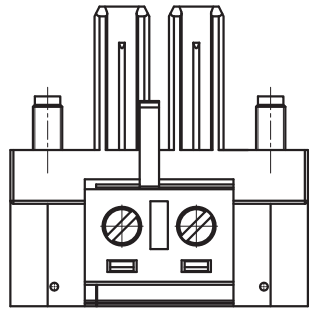
- 1.Dimension shall be interpreted per ASME Y14.5-2009
- 2.Pitch : 7.62mm, Poles : N=02~12P
- 3.Stripping length : 7mm
- 4.Operating temperature: -40°C~+105°C
- 5.Undimensioned Tolerances:

Pitch Range In mm	Nominal Dimension Range In mm						0.1/10	
	Over 6 TO 10	Over 10 TO 24	Over 30 TO 30	Over 60 TO 60	Over 100 TO 100	Over 150 TO 150		
±0.15	±0.20	±0.30	±0.30	±0.50	±0.70	±1.00	±1.30	±2*

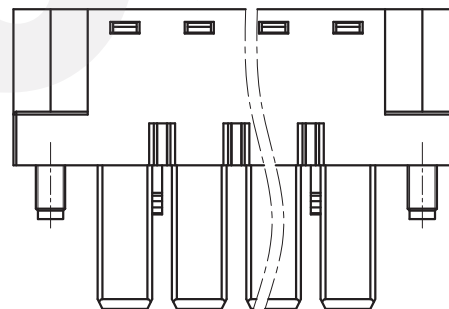
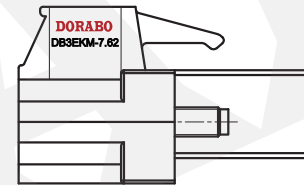
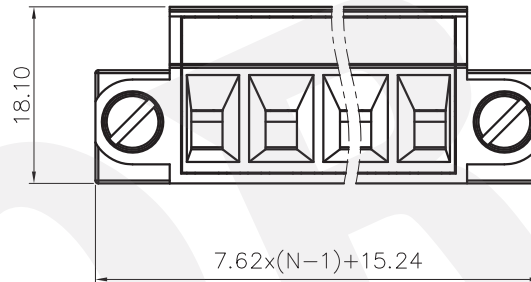
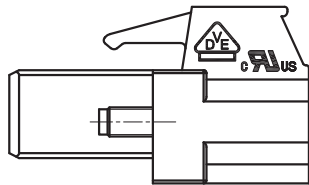
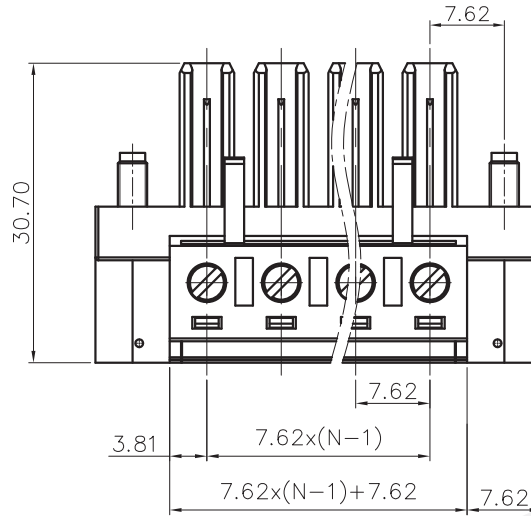
6.RoHS Compliance

DB3EKM - 7.62 - XXP - 1Y - 00A (H)

(Series No.) (Pitch) (Poles) (Single Pitch) (Color):1.(Grey)
2.(Blue)
3.(Black)
4.(Green)
5.(Orange)
6.(Red)
7.(Transparent)
8.(Yellow)
9.(White)



2P



DETACHED LISTS	PART NO.:	/			
	APPD:	/	NAME: DORABO 慈溪市地博电子有限公司 CIXI DORABO ELECTRONICS CO.,LTD		
	CHKD:	/	DB3EKM-7.62-XXP-1Y-00A(H)		
	DRFT:	/	TITLE: CUSTOMER DRAWING	REV	DO
	THIRD ANGLE PROJECTION		DRAWING NO.:	/	SHEET
		MM (INCH)	DO NOT SCALE DRAWING	SCALE	1:1