

| REVISION RECORD |     |             |      |      |
|-----------------|-----|-------------|------|------|
| REV             | ECN | DESCRIPTION | DRFT | DATE |

NOTES1:

UL Standard

- 1.Rated Voltage/Current : 300V / 30A
- 2.Withstanding Voltage : AC1600V/1Min.
- 3.Torque Value : M3 , 4.43Lb.in
- 4.Wire Range : 30~10AWG

IEC Standard

|                          |       |
|--------------------------|-------|
| 1. Pollution Degree      | 2     |
| Overvoltage Category     | III   |
| Rate Impulse Voltage(KV) | 4.0KV |
| Rate Voltage(V)          | 400V  |
| Rate Current(A)          | 32A   |

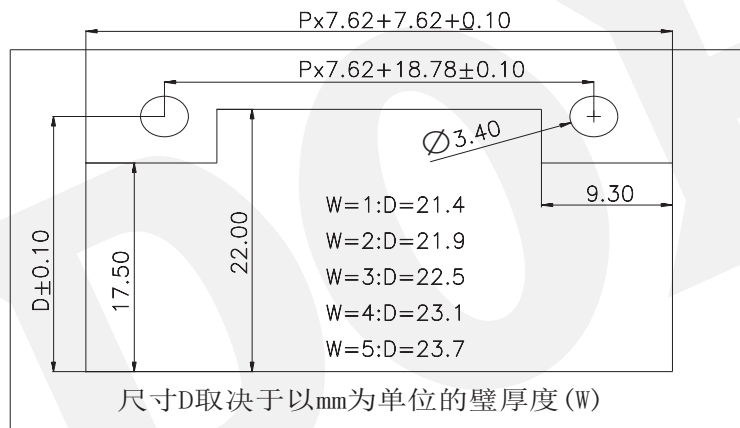
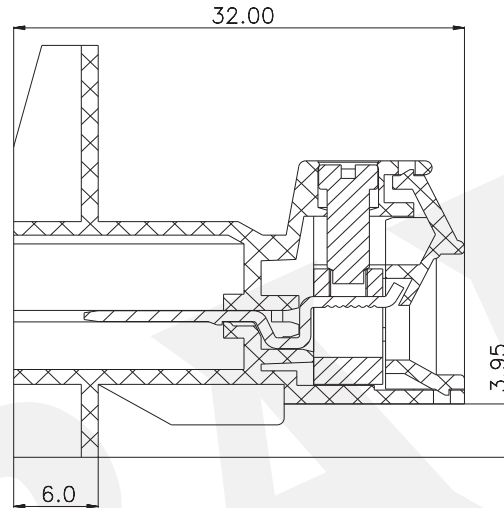
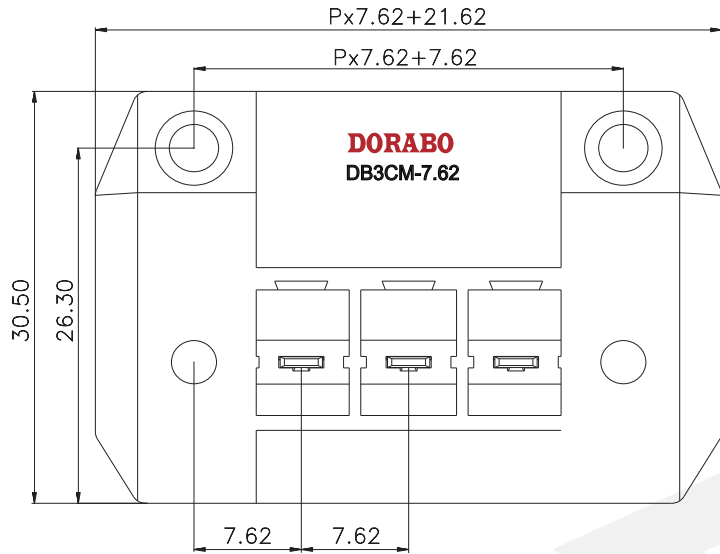
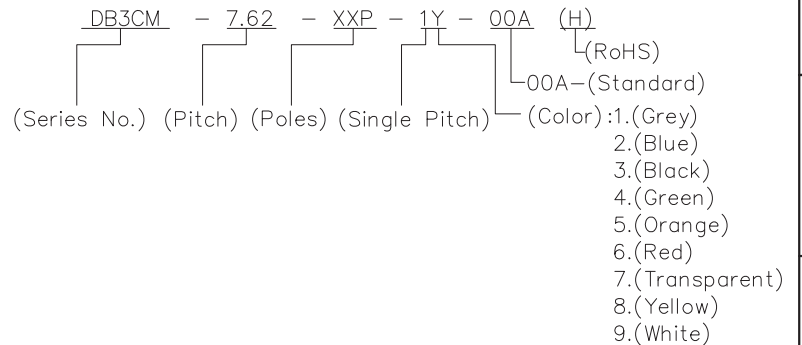
- 2.Torque Value : M3 , 0.5N.m
- 3.Wire Range : 0.2~4.0mm<sup>2</sup>

NOTES2:

- 1.Dimension shall be interpreted per ASME Y14.5-2009
- 2.Pitch : 7.62mm, Poles : N=02~12P
- 3.Stripping length : 7mm
- 4.Operating temperature: -40°C~+105°C
- 5.Undimensioned Tolerances:

| Pitch Range In mm |       | Nominal Dimension Range In mm |       |       |       | Tolerances |        |     |
|-------------------|-------|-------------------------------|-------|-------|-------|------------|--------|-----|
| TO                | Over  | TO                            | Over  | TO    | Over  | 0.1/10     | Symbol |     |
| 6                 | 10    | 10                            | 30    | 30    | 60    | 100        | 150    |     |
| ±0.15             | ±0.20 | ±0.30                         | ±0.30 | ±0.50 | ±0.70 | ±1.00      | ±1.30  | ±2' |

6.RoHS Compliance



|                        |           |                      |  |       |     |
|------------------------|-----------|----------------------|--|-------|-----|
| DETACHED LISTS         | PART NO.: | /                    |  |       |     |
|                        | APPD:     | /                    |  |       |     |
|                        | CHKD:     | /                    |  |       |     |
|                        | DRFT:     | /                    |  |       |     |
| THIRD ANGLE PROJECTION |           | DRAWING NO.:         |  | REV   | DO  |
|                        |           | /                    |  | SHEET | 1/1 |
|                        |           | MM (INCH)            |  | SCALE | 1:1 |
|                        |           | DO NOT SCALE DRAWING |  |       |     |

**DORABO** 慈溪市地博电子有限公司  
 CIXI DORABO ELECTRONICS CO.,LTD

NAME: DB3CM-7.62-XXP-1Y-00A(H)

TITLE: CUSTOMER DRAWING

DRAWING NO.:

/

MM (INCH)

DO NOT SCALE DRAWING

SCALE

REV

/

SHEET

1/1

SCALE

TITLE: CUSTOMER DRAWING

/

MM (INCH)

DO NOT SCALE DRAWING

SCALE

REV

/

SHEET

1/1

SCALE

DO

/

SHEET

1/1

SCALE