

REVISION RECORD

REV	ECN	DESCRIPTION	DRFT	DATE
-----	-----	-------------	------	------

NOTES1:

- UL Standard
- 1.Rated voltage/current : 300V / 2A
- 2.Wire range : 24~20AWG

IEC Standard

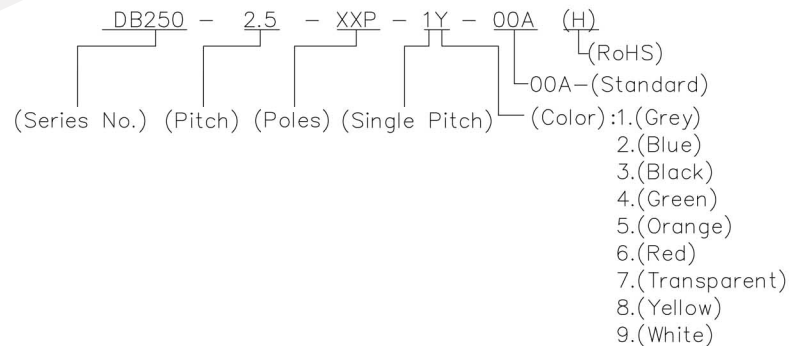
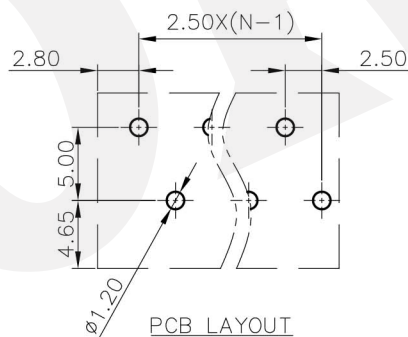
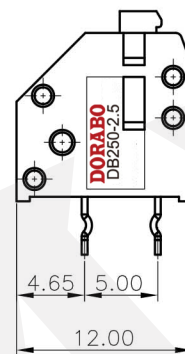
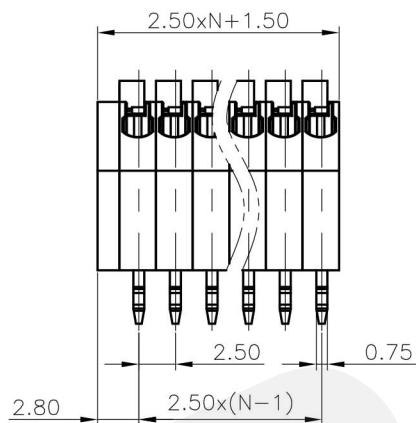
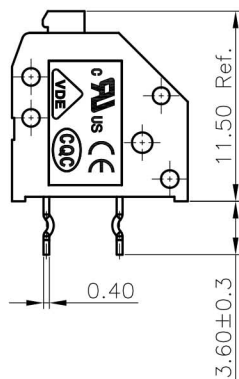
- 1.Rated voltage/current : 250V / 2A
- 2.Wire range : 0.2~0.5mm²

NOTES2:

- 1.Dimension shall be interpreted per ASME Y14.5-2009
- 2.Pitch : 2.50mm, Poles : N=01~XXP
- 3.Stripping length : 8.5~9.5mm
- 4.Withstanding voltage : AC2000V/1Min.
- 5.Operating temperature : -40°C~+105°C
- 6.Undimensioned tolerances:

Pitch range in mm		Nominal dimension range in mm						□	∩	∩
TO	Over TO	TO	Over TO	TO	Over TO	TO	Over TO	0.1/10		
6	10	6	10	30	60	100	150			
10	24	30	60	100	150			<		
±0.15	±0.20	±0.30	±0.30	±0.50	±0.70	±1.00	±1.30		±2°	

7.RoHS Compliance



DETACHED LISTS	PART NO.:	/			
	APPD:	/			
	CHKD:	/			
	DRFT:	/			
		<p>THIRD ANGLE PROJECTION</p>		<p>DRAWING NO.: /</p>	
	<p>DO NOT SCALE DRAWING</p>		REV	DO	
	<p>SCALE 1:1</p>		SHEET	1/1	