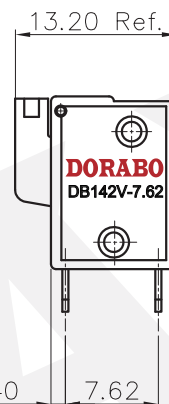
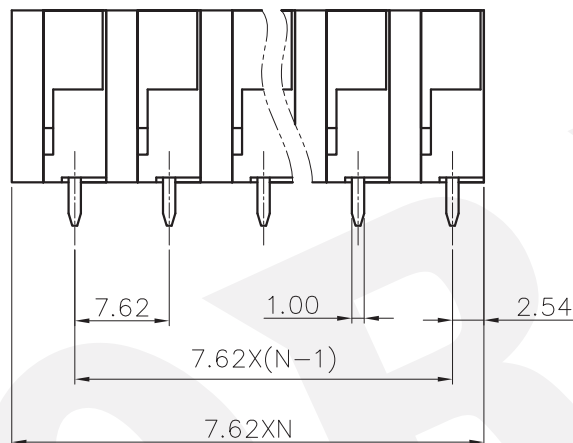
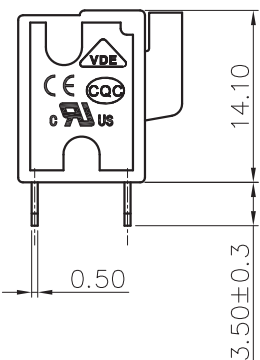
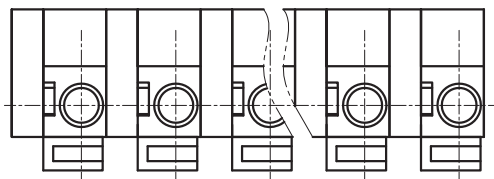


REVISION RECORD				
REV	ECN	DESCRIPTION	DRFT	DATE



NOTES1:

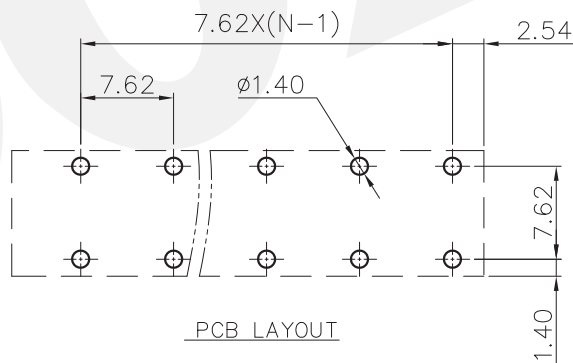
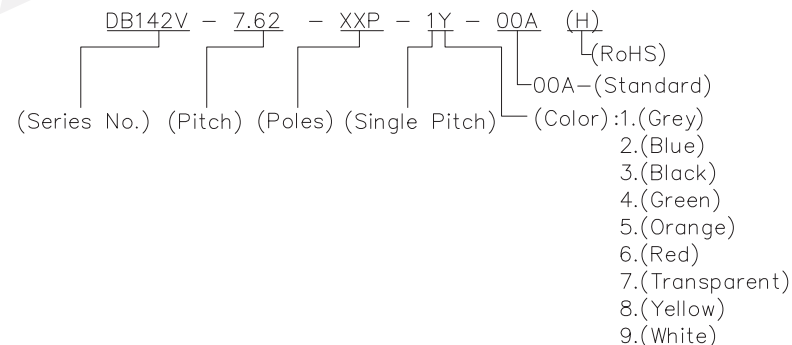
- UL Standard
 - Rated voltage/current : 300V / 10A
 - Wire range : 22~16AWG
- IEC Standard
 - Rated voltage/current : 450V / 15A
 - Wire range : 0.2~1.5mm²

NOTES2:

- Dimension shall be interpreted per ASME Y14.5-2009
- Pitch : 7.62mm, Poles : N=01~XXP
- Stripping length : 11mm
- Withstanding voltage : AC2500V/1Min.
- Operating temperature: -40°C~+105°C
- Undimensioned tolerances:

Pitch range in mm		Nominal dimension range in mm						±	∠
TO	Over	Over	Over	Over	Over	Over	0.1/10		
6	6 TO 10	10 TO 24	30 TO 30	30 TO 60	60 TO 100	100 TO 150	<		
±0.15	±0.20	±0.30	±0.30	±0.50	±0.70	±1.00	±1.30	±2'	

7.RoHS Compliance



DETACHED LISTS	PART NO.:	/			
	APPD:	/			
	CHKD:	/			
	DRFT:	/			
		<p>THIRD ANGLE PROJECTION</p>		<p>DORABO 慈溪市地博电子有限公司 CIXI DORABO ELECTRONICS CO.,LTD</p>	
		NAME:		DB142V-7.62-XXP-1Y-00A(H)	
		TITLE:		CUSTOMER DRAWING	REV DO
		DRAWING NO.:		/	SHEET 1/1
		MM (INCH)		DO NOT SCALE DRAWING	SCALE 1:1