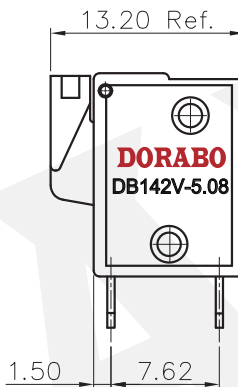
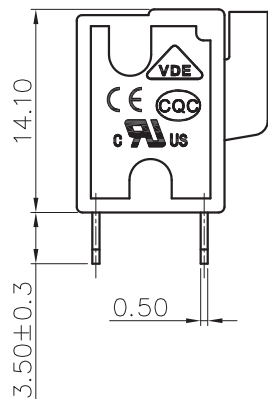
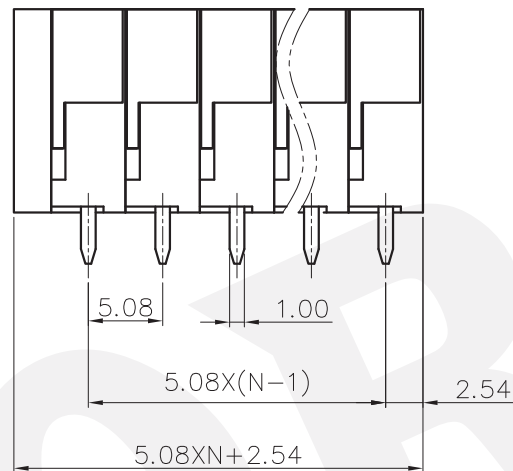
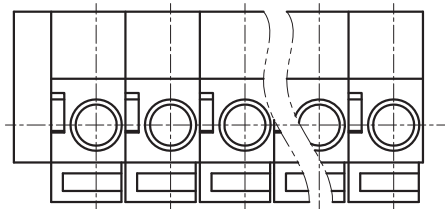


REVISION RECORD				
REV	ECN	DESCRIPTION	DRFT	DATE



NOTES1:

- UL Standard
- 1.Rated voltage/current : 300V / 10A
- 2.Wire range : 22~16AWG

IEC Standard

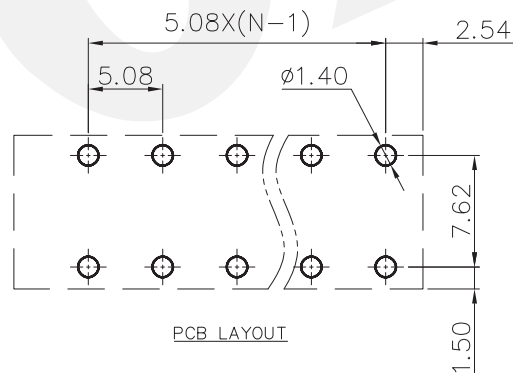
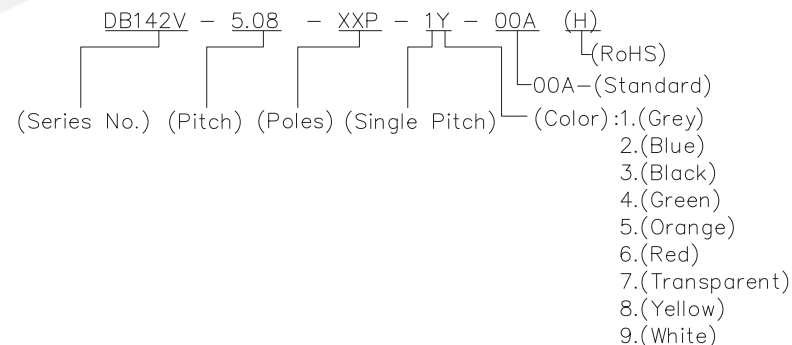
- 1.Rated voltage/current : 250V / 15A
- 2.Wire range : 0.2~1.5mm<sup>2</sup>

NOTES2:

- 1.Dimension shall be interpreted per ASME Y14.5-2009
- 2.Pitch : 5.08mm, Poles : N=01~XXP
- 3.Stripping length : 11mm
- 2.Withstanding voltage : AC2000V/1Min.
- 3.Operating temperature: -40°C~+105°C
- 4.Undimensioned tolerances:

Pitch range in mm		Nominal dimension range in mm					- / □	
TO	Over	TO	Over	TO	Over	TO		
6	10	10	24	30	60	100	150	0.1/10
±0.15	±0.20	±0.30	±0.30	±0.50	±0.70	±1.00	±1.30	<

5.RoHS Compliance



DETACHED LISTS	PART NO.:	/			
	APPD:	/			
	CHKD:	/			
	DRFT:	/			
	NAME:		REV		DO
	DORABO 慈溪市地博电子有限公司 CIXI DORABO ELECTRONICS CO.,LTD		DB142V-5.08-XXP-1Y-00A(H)		1/1
	TITLE:		CUSTOMER DRAWING	REV	DO
	DRAWING NO.:		/	SHEET	1/1
	THIRD ANGLE PROJECTION		MM (INCH)	DO NOT SCALE DRAWING	SCALE 1:1