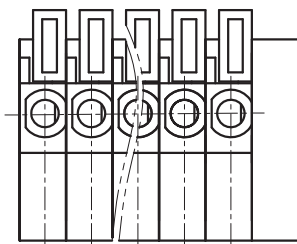


REVISION RECORD				
REV	ECN	DESCRIPTION	DRFT	DATE

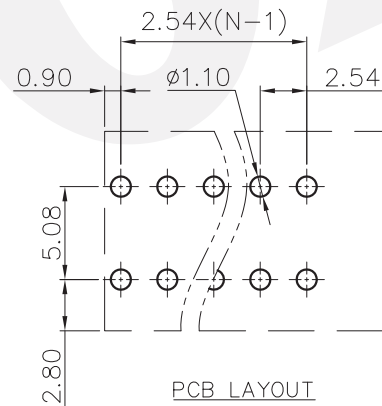
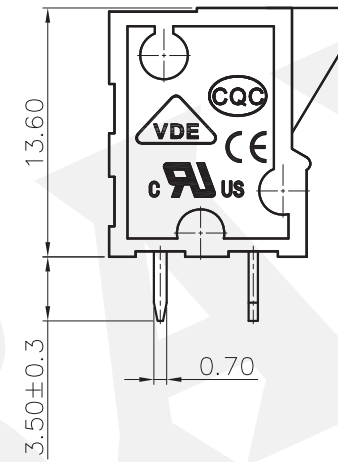
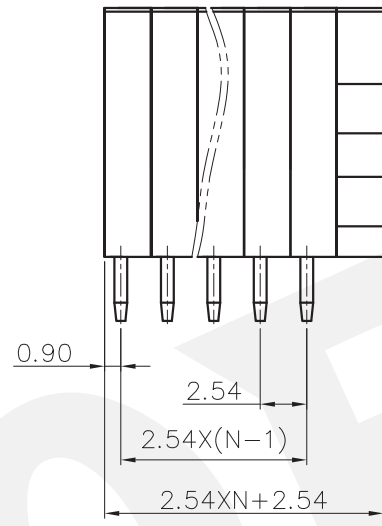
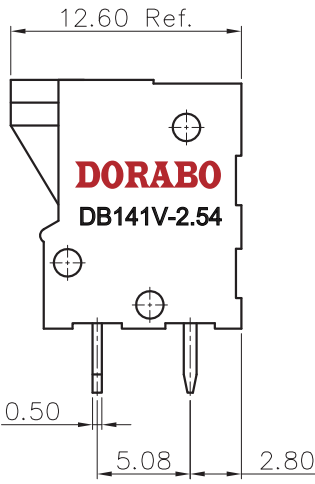


NOTES1:
 UL Standard
 1.Rated voltage/current : 150V / 2A
 2.Wire range : 24~20AWG
 IEC Standard
 1.Rated voltage/current : 130V / 6A
 2.Wire range : 0.2~1.0mm²

NOTES2:
 1.Dimension shall be interpreted per ASME Y14.5-2009
 2.Pitch : 2.54mm, Poles : N=01~XXP
 3.Stripping length : 11mm
 4.Withstanding voltage : AC1250V/1Min.
 5.Operating temperature : -40°C~+105°C
 6.Undimensioned tolerances:

Pitch range in mm	Nominal dimension range in mm						0.1/10	
	Over 6 TO 10	Over 10 TO 24	Over 30 TO 60	Over 60 TO 100	Over 100 TO 150	Over 150		
±0.15	±0.20	±0.30	±0.30	±0.50	±0.70	±1.00	±1.30	±2'

7.RoHS Compliance



DB141V - 2.54 - XXP - 1Y - 00A (H)
 (Series No.) (Pitch) (Poles) (Single Pitch) (Color):1.(Grey)
 2.(Blue)
 3.(Black)
 4.(Green)
 5.(Orange)
 6.(Red)
 7.(Transparent)
 8.(Yellow)
 9.(White)

DETACHED LISTS	PART NO.:	DORABO 慈溪市地博电子有限公司 CIXI DORABO ELECTRONICS CO.,LTD			
	APPD:	NAME: DB141V-2.54-XXP-1Y-00A(H)			
	CHKD:	TITLE: CUSTOMER DRAWING			
	DRFT:	REV		DO	
	DRAWING NO.:		SHEET		1/1
THIRD ANGLE PROJECTION		DO NOT SCALE DRAWING		SCALE 1:1	

H
G
F
E
D
C
B
A