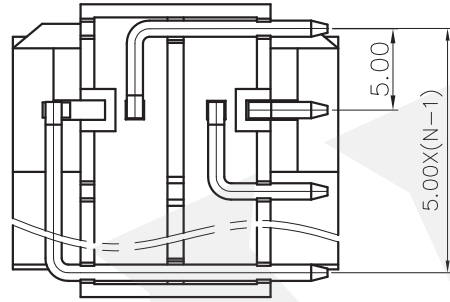
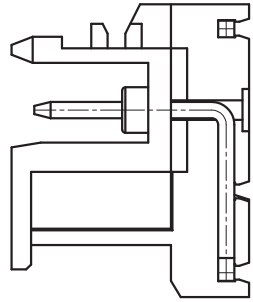
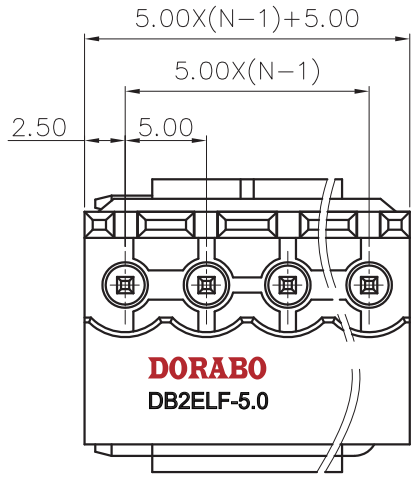


REVISION RECORD				
REV	ECN	DESCRIPTION	DRFT	DATE



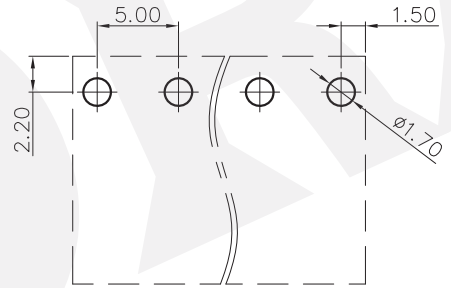
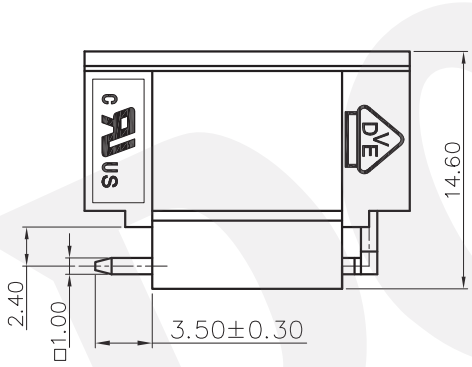
NOTES1:
 UL Standard
 1.Rated voltage/current : 300V / 15A
 2.Withstanding voltage : AC1600V/1Min.
 IEC Standard

Pollution degree	2
Overvoltage category	III
Rate impulse voltage(KV)	4.0KV
Rate voltage(V)	320V
Rate current(A)	20A

NOTES2:
 1.Dimension shall be interpreted per ASME Y14.5-2009
 2.Pitch : 5.0mm, Poles : N=02~04P
 3.Operating temperature: -40°C~+105°C
 4.Undimensioned tolerances:

Pitch range in mm		Nominal dimension range in mm							
TO	Over	Over	TO	Over	Over	Over			
6	6	10	30	60	100	150	0.1/10		
	TO 10	TO 24	TO 30	TO 60	TO 100	TO 150			
	±0.15	±0.20	±0.30	±0.30	±0.50	±0.70	±1.00	±1.30	
								±2'	

5.RoHS Compliance



PCB LAYOUT

DB2ELF - 5.0 - XXP - 1Y - 00A (H)
 (Series No.) (Pitch) (Poles) (Single Pitch) (Color):1.(Grey)
 2.(Blue)
 3.(Black)
 4.(Green)
 5.(Orange)
 6.(Red)
 7.(Transparent)
 8.(Yellow)
 9.(White)

DETACHED LISTS	PART NO.:	/				
	APPD:	/				
	CHKD:	/				
	DRFT:	/				
		 THIRD ANGLE PROJECTION		DORABO 慈溪市地博电子有限公司 CIXI DORABO ELECTRONICS CO.,LTD		
		NAME: DB2ELF-5.0-XXP-1Y-00A(H)			REV	DO
		TITLE: CUSTOMER DRAWING			SHEET	1/1
		DRAWING NO.: /			SCALE	1:1
		DO NOT SCALE DRAWING MM (INCH)				