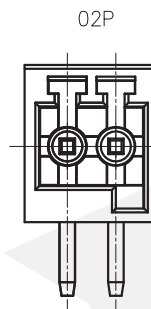
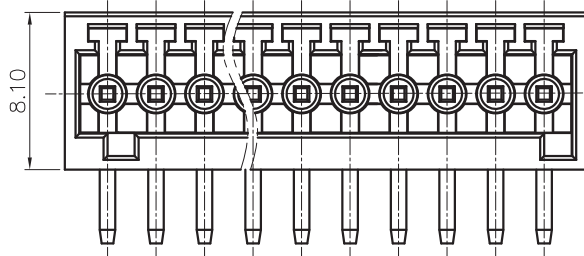
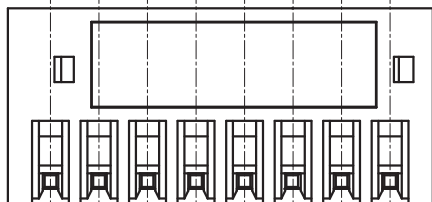


REVISION RECORD				
REV	ECN	DESCRIPTION	DRFT	DATE

8P and 8P following no reinforcement.



NOTES1:

UL Standard

1. Rated voltage/current : 150V / 4A
2. Withstanding voltage : AC1300V/1Min.

IEC Standard

1.

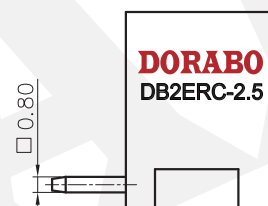
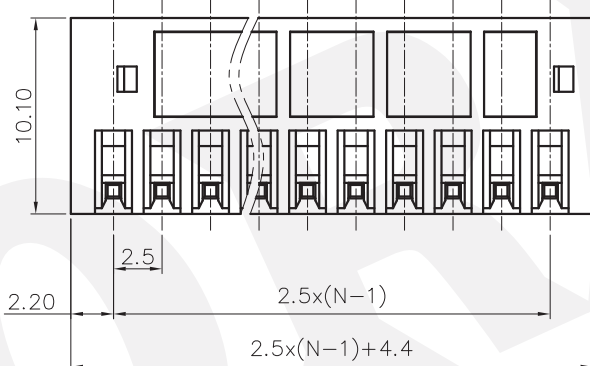
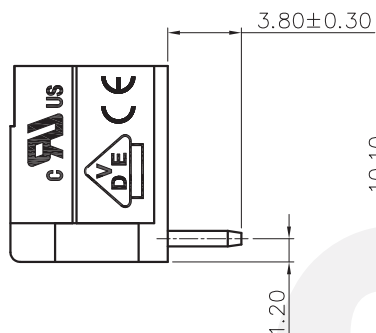
Pollution degree	2
Overvoltage category	II
Rate impulse voltage(KV)	2.5KV
Rate voltage(V)	250V
Rate current(A)	5A

NOTES2:

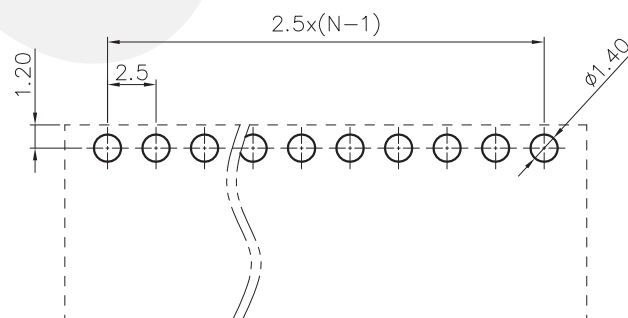
1. Dimension shall be interpreted per ASME Y14.5-2009
2. Pitch : 2.5mm, Poles : N=02~12P
3. Operating temperature : -40°C~+105°C
4. Undimensioned tolerances:

Pitch range in mm	Nominal dimension range in mm				-	∩	□
	Over 6 TO 10	Over 10 TO 24	Over 30 TO 60	Over 60 TO 150			
±0.15	±0.20	±0.30	±0.50	±0.70	±1.00	±1.30	±2*

5. RoHS Compliance



DB2ERC - 2.5 - XXP - 1Y - 00A (H)
 (Series No.) (Pitch) (Poles) (Color): 1.(Grey) 2.(Blue) 3.(Black) 4.(Green) 5.(Orange) 6.(Red) 7.(Transparent) 8.(Yellow) 9.(White)
 (Single Pitch) (RoHS) 00A-(Standard)



DETACHED LISTS	PART NO.:	/		
	APPD:	/		
	CHKD:	/		
	DRFT:	/		
	THIRD ANGLE PROJECTION		/	
NAME:		DORABO 慈溪市地博电子有限公司 CIXI DORABO ELECTRONICS CO.,LTD		
TITLE:		CUSTOMER DRAWING		
DRAWING NO.:		/		
DO NOT SCALE DRAWING		REV	DO	
MM (INCH)		SHEET	1/1	
SCALE		1:1		