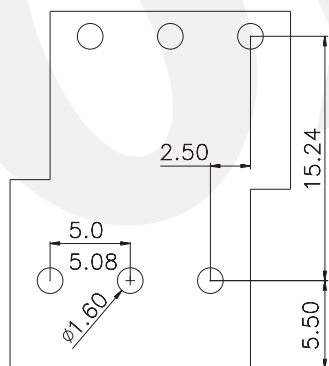
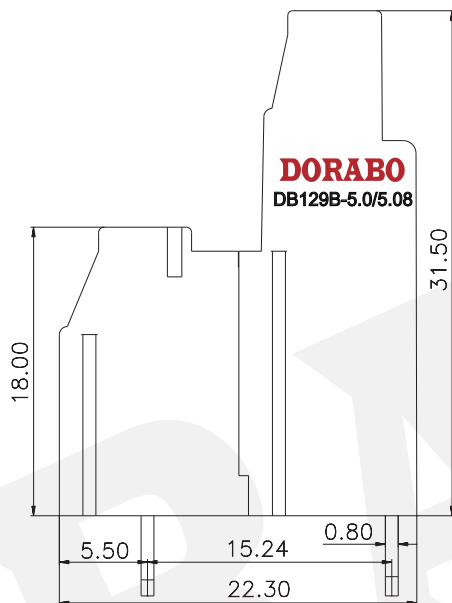
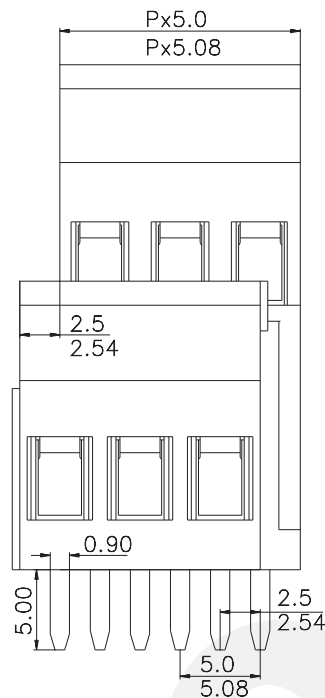


REVISION RECORD

REV	ECN	DESCRIPTION	DRFT	DATE
-----	-----	-------------	------	------



DB129B - 5.0/5.08 - XXP - 1Y - 00A (H)
 (Series No.) (Pitch) (Poles) (Single Pitch) (RoHS)
 00A--(Standard)

(Color): 1.(Grey) 2.(Blue) 3.(Black) 4.(Green) 5.(Orange)
 6.(Red) 7.(Transparent) 8.(Yellow) 9.(White)

NOTES1:

UL Standard

1. Rated voltage/current : 300V / 20A
2. Torque value : M3 , 4.43Lb.in
3. Wire range : 26~12AWG

IEC Standard

1. Rated voltage/current : 450V / 20A
2. Torque value : M3 , 0.5N·m
3. Wire range : 0.5~2.5mm²

NOTES2:

1. Dimension shall be interpreted per ASME Y14.5-2009
2. Pitch : 5.0/5.08mm, Poles : N=04~48P
3. Stripping length : 7mm
4. Withstanding voltage : AC2500V/1Min.
5. Operating temperature: -40°C~+105°C
6. Undimensioned tolerances:

Pitch range in mm		Nominal dimension range in mm				-	∩	∠
To	Over	Over	Over	Over	Over	0.1/10		
6	6 TO 10	10 TO 24	30 TO 60	60 TO 100	100 TO 150	∠		
±0.15	±0.20	±0.30	±0.30	±0.50	±0.70	±1.00	±1.30	±2'

7. RoHS Compliance

DETACHED LISTS	PART NO.:	/			DORABO 慈溪市地博电子有限公司 CIXI DORABO ELECTRONICS CO.,LTD	
	APPD:	/	NAME:		DB129B-5.0/5.08-XXP-1Y-00A(H)	
	CHKD:	/	TITLE:		CUSTOMER DRAWING	REV DO
	DRFT:	/	DRAWING NO.:		/	SHEET 1/1
<p>THIRD ANGLE PROJECTION</p>		<p>MM (INCH)</p>		DO NOT SCALE DRAWING		SCALE 1:1