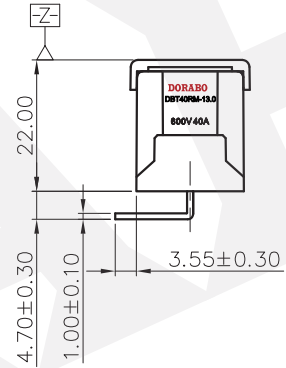
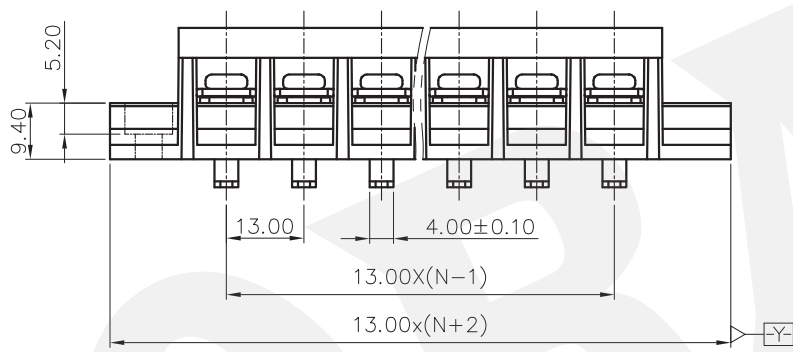
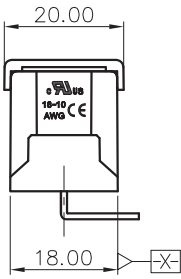
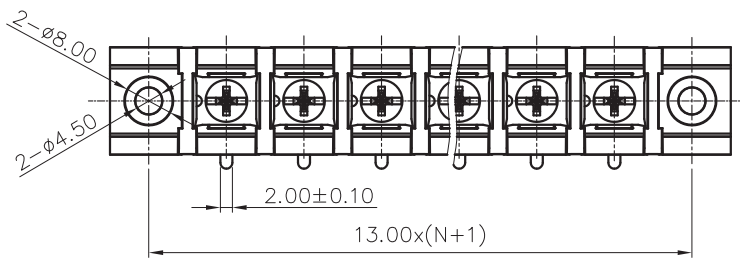


REVISION RECORD				
REV	ECN	DESCRIPTION	DRFT	DATE



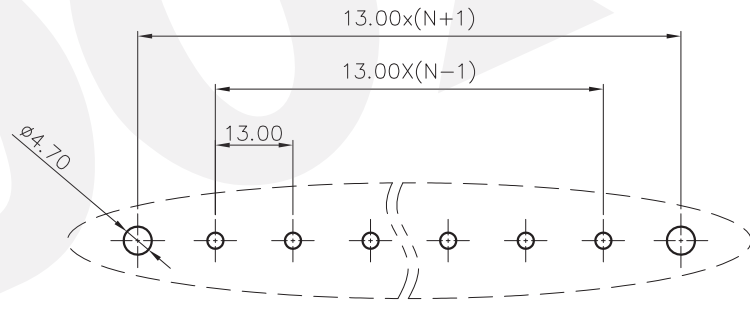
NOTES1:  
 UL Standard  
 1. Rated voltage/current : 600V / 40A  
 2. Torque value : M4 , 10.53Lb.in  
 3. Wire range : 18~10AWG

NOTES2:  
 1. Dimension shall be interpreted per ASME Y14.5-2009  
 2. Pitch : 13.00mm, Poles : N=02~18P  
 3. Stripping length : 8~9mm  
 4. Withstanding voltage : AC2200V/1Min  
 5. Operating temperature : -40°C~+105°C  
 6. Undimensioned tolerances:

Pitch range in mm	Nominal dimension range in mm						-	∩	□
	Over 6 TO 6	Over 10 TO 10	Over 15 TO 24	Over 30 TO 30	Over 60 TO 60	Over 100 TO 150			
±0.15	±0.20	±0.30	±0.30	±0.50	±0.70	±1.00	±1.30	±2'	0.1/10

7. RoHS Compliance

DBT40RM-13.0 - XXP - 1Y - 00A (H)  
 (Series No.) (Poles) (Single Pitch) (Color): 1.(Grey) 2.(Blue) 3.(Black) 4.(Green) 5.(Orange) 6.(Red) 7.(Transparent) 8.(Yellow) 9.(White)  
 (RoHS) 00A-(Standard)



PCB LAYOUT

DETACHED LISTS	PART NO.:	<b>DORABO</b> 慈溪市地博电子有限公司 CIXI DORABO ELECTRONICS CO.,LTD			
	APPD:	NAME: DBT40RM-13.0-XXP-1Y-00A(H)			
	CHKD:	TITLE: CUSTOMER DRAWING			
	DRFT:	DRAWING NO.:		REV	DO
THIRD ANGLE PROJECTION		MM (INCH)	DO NOT SCALE DRAWING	SHEET 1/1	SCALE 1:1

H  
G  
F  
E  
D  
C  
B  
A

H  
G  
F  
E  
D  
C  
B  
A