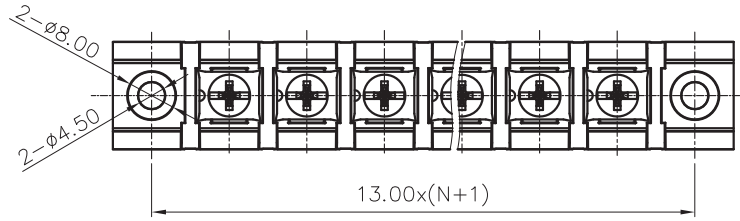


REVISION RECORD				
REV	ECN	DESCRIPTION	DRFT	DATE

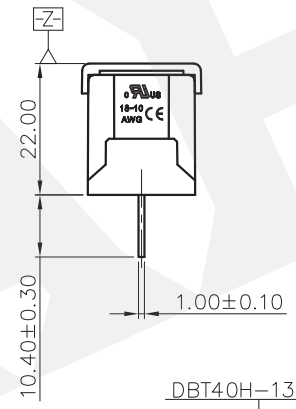
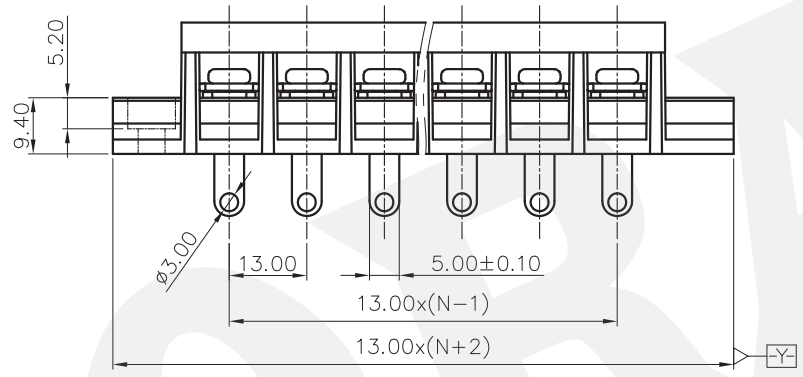
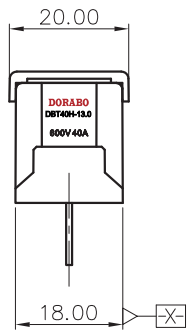


NOTES1:  
 UL Standard  
 1. Rated voltage/current : 600V / 40A  
 2. Torque value : M4 , 10.53Lb.in  
 3. Wire range : 18~10AWG

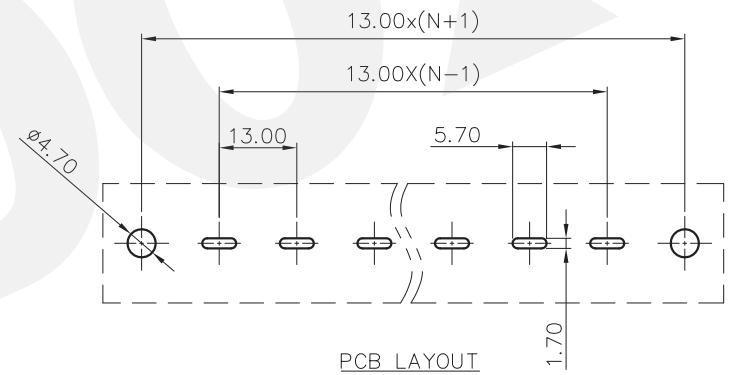
NOTES2:  
 1. Dimension shall be interpreted per ASME Y14.5-2009  
 2. Pitch : 13.00mm, Poles : N=02~18P  
 3. Stripping length : 8~9mm  
 4. Withstanding voltage : AC2200V/1Min  
 5. Operating temperature: -40°C~+105°C  
 6. Undimensioned tolerances:

Pitch range in mm		Nominal dimension range in mm					
TO	Over	TO	Over	TO	Over	TO	Over
6	10	10	30	30	60	100	150
6	10	24	30	60	100	150	150
±0.15		±0.20	±0.30	±0.30	±0.50	±0.70	±1.00
							±1.30
						0.1/10	
						±2'	

7. RoHS Compliance



DBT40H-13.0 - XXP - 1Y - 00A (H)  
 (Series No.) (Poles) (Single Pitch) (Color): 1.(Grey)  
 2.(Blue)  
 3.(Black)  
 4.(Green)  
 5.(Orange)  
 6.(Red)  
 7.(Transparent)  
 8.(Yellow)  
 9.(White)



DETACHED LISTS	PART NO.: /	<b>DORABO</b> 慈溪市地博电子有限公司 CIXI DORABO ELECTRONICS CO.,LTD			
	APPD: /	NAME: DBT40H-13.0-XXP-1Y-00A(H)			
	CHKD: /	TITLE: CUSTOMER DRAWING			
	DRFT: /	DRAWING NO.: /		REV	DO
THIRD ANGLE PROJECTION		MM (INCH)		SHEET	1/1
		DO NOT SCALE DRAWING		SCALE	1:1