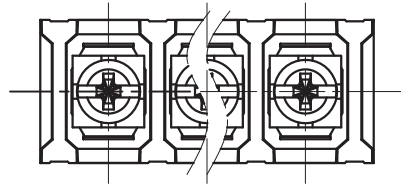


REVISION RECORD				
REV	ECN	DESCRIPTION	DRFT	DATE

(W/O COVER)



NOTES1:

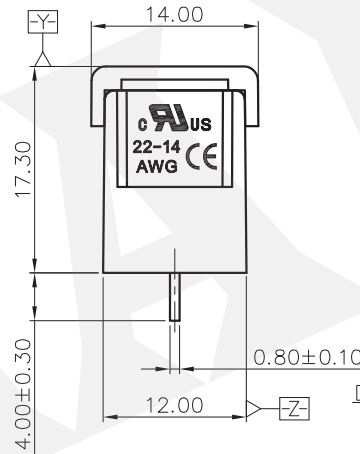
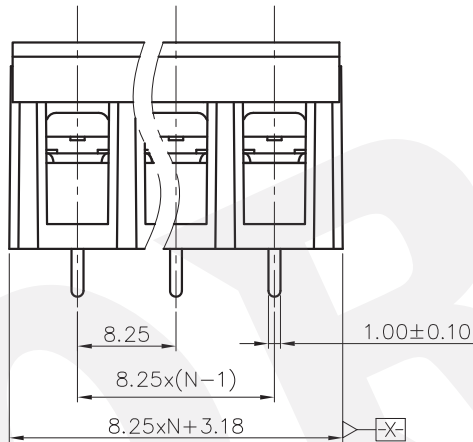
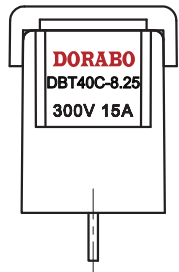
- UL Standard
- 1. Rated voltage/current : 300V / 15A
- 2. Torque value : M3 , 4.43Lb.in
- 3. Wire range : 22~14AWG

NOTES2:

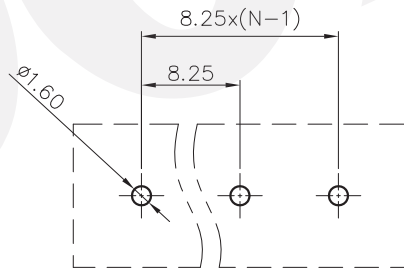
- 1. Dimension shall be interpreted per ASME Y14.5-2009
- 2. Pitch : 8.25mm, Poles : N=02~26P
- 3. Stripping length : 6~7mm
- 4. Withstanding voltage : AC1600V/1Min
- 5. Operating temperature : -40°C~+105°C
- 6. Undimensioned tolerances:

Pitch range in mm		Nominal dimension range in mm						-	∩	∇
TO	Over TO	Over TO	Over TO	Over TO	Over TO	Over TO	0.1/10	∩	∇	
6	6 TO 10	10 TO 24	30 TO 60	60 TO 100	100 TO 150	150	<	∩	∇	
±0.15	±0.20	±0.30	±0.30	±0.50	±0.70	±1.00	±1.30	±2°		

7. RoHS Compliance



DBT40C-8.25 - XXP - 1Y - 00A (H)
 (Series No.)(Poles)(Single Pitch) (Color): 1.(Grey) 2.(Blue) 3.(Black) 4.(Green) 5.(Orange) 6.(Red) 7.(Transparent) 8.(Yellow) 9.(White)
 (RoHS) 00A-(Standard)



PCB LAYOUT

DETACHED LISTS	PART NO.: /	DORABO 慈溪市地博电子有限公司 CIXI DORABO ELECTRONICS CO.,LTD			
	APPD: /	NAME: DBT40C-8.25-XXP-1Y-00A(H)			
	CHKD: /	TITLE: CUSTOMER DRAWING			
	DRFT: /	DRAWING NO.: /		REV	DO
THIRD ANGLE PROJECTION		MM (INCH)	DO NOT SCALE DRAWING	SCALE	1:1