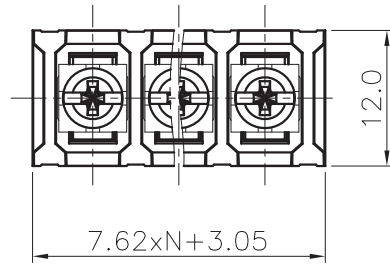


REVISION RECORD				
REV	ECN	DESCRIPTION	DRFT	DATE

(W/O COVER)



NOTES1:

UL Standard

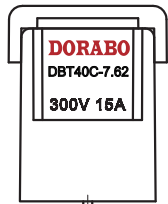
1. Rated voltage/current : 300V / 15A
2. Torque value : M3 , 4.43Lb.in
3. Wire range : 22~14AWG

NOTES2:

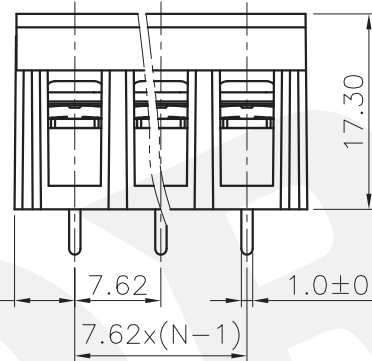
1. Dimension shall be interpreted per ASME Y14.5-2009
2. Pitch : 7.62mm, Poles : N=02~26P
3. Withstanding voltage : AC1600V/1Min
4. Operating temperature: -40°C~+105°C
5. Undimensioned tolerances:

Pitch range in mm		Nominal dimension range in mm				0.1/10		
TO	Over	TO	Over	TO	Over	±		
6	10	24	30	60	150			
±0.15	±0.20	±0.30	±0.30	±0.50	±0.70	±1.00	±1.30	±2*

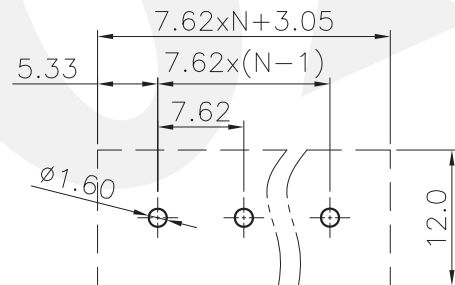
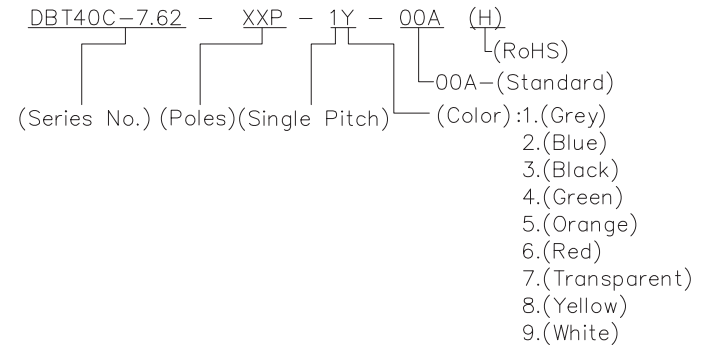
6. RoHS Compliance



0.80±0.05



4.0±0.3



PCB LAYOUT

DETACHED LISTS	PART NO.:	/			
	APPD:	/			
	CHKD:	/			
	DRFT:	/			
	THIRD ANGLE PROJECTION	/			
	<b>DORABO</b> 慈溪市地博电子有限公司 CIXI DORABO ELECTRONICS CO.,LTD				
	NAME: DBT40C-7.62-XXP-1Y-00A(H)		REV	DO	
	TITLE: CUSTOMER DRAWING		SHEET	1/1	
	DRAWING NO.:		SCALE	1:1	
	MM (INCH)		DO NOT SCALE DRAWING		