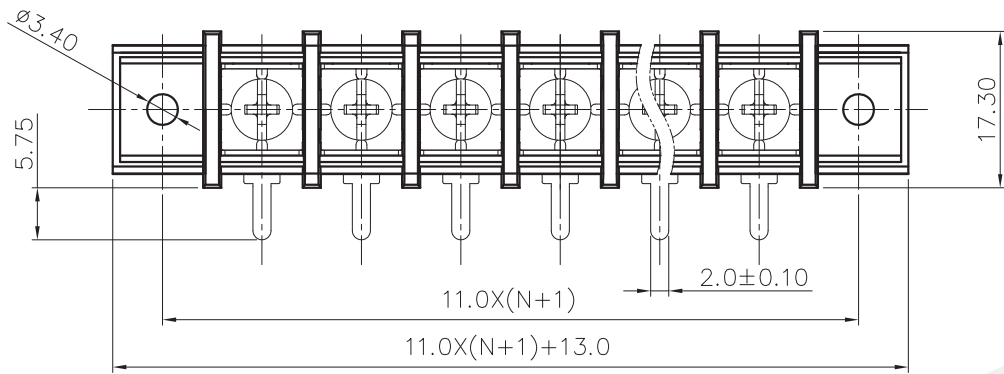


REVISION RECORD				
REV	ECN	DESCRIPTION	DRFT	DATE

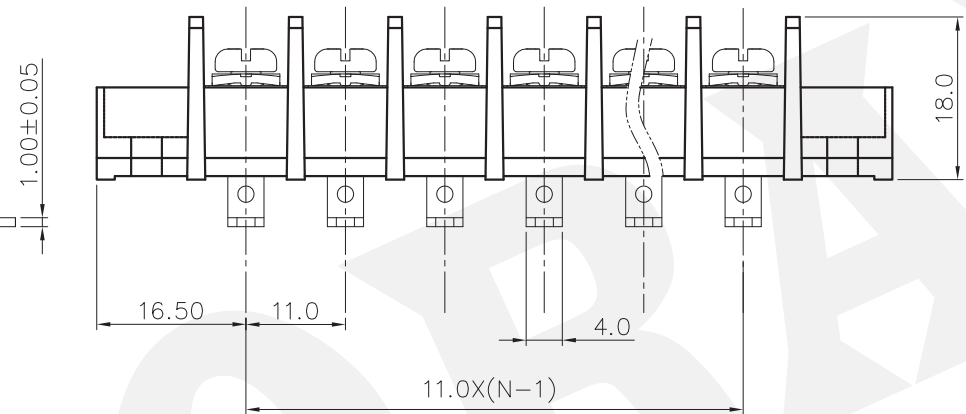
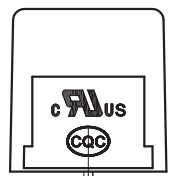


NOTES1:
 UL Standard
 1.Rated voltage/current : 300V / 30A
 2.Torque value : M4 , 10.53Lb.in
 3.Wire range : 22~12AWG

NOTES2:
 1.Dimension shall be interpreted per ASME Y14.5-2009
 2.Pitch : 11.0mm, Poles : N=02~20P
 3.Withstanding voltage : AC1600V/1Min
 4.Operating temperature: -40°C~+105°C
 5.Undimensioned tolerances:

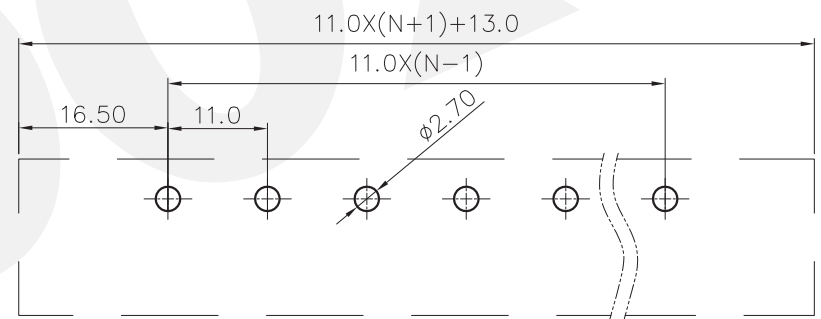
Pitch range in mm		Nominal dimension range in mm						0.1/10
TO 6	Over 6 TO 10	Over 10 TO 24	Over 24 TO 30	Over 30 TO 60	Over 60 TO 100	Over 100 TO 150		
±0.15	±0.20	±0.30	±0.30	±0.50	±0.70	±1.00	±1.30	±2°

6.RoHS Compliance



5.20±0.30

DBT30RM-11.0 - XXP - 1Y - 00A (H)
 (Series No.) (Poles) (Single Pitch) (Color):1.(Grey)
 2.(Blue)
 3.(Black)
 4.(Green)
 5.(Orange)
 6.(Red)
 7.(Transparent)
 8.(Yellow)
 9.(White)
 (RoHS)
 00A-(Standard)



PCB LAYOUT

DETACHED LISTS	PART NO.:	/			
	APPD:	/			
	CHKD:	/			
	DRFT:	/			
THIRD ANGLE PROJECTION				DORABO 慈溪市地博电子有限公司 CIXI DORABO ELECTRONICS CO.,LTD	
		NAME:		DBT30RM-11.0-XXP-1Y-00A(H)	
		TITLE:		CUSTOMER DRAWING	REV DO
		DRAWING NO.:		/	SHEET 1/1
		MM (INCH)		DO NOT SCALE DRAWING	SCALE 1:1