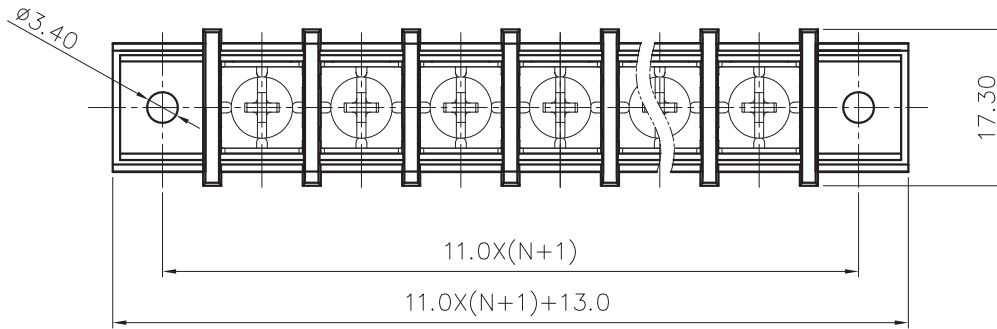


REVISION RECORD				
REV	ECN	DESCRIPTION	DRFT	DATE



NOTES1:

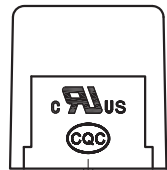
- UL Standard
- 1. Rated voltage/current : 300V / 30A
- 2. Torque value : M4 , 10.53Lb.in
- 3. Wire range : 22~12AWG

NOTES2:

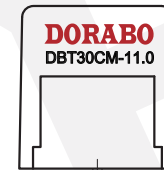
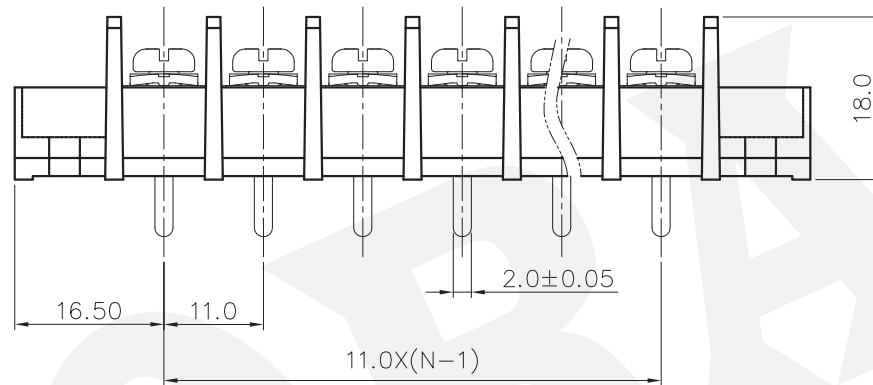
- 1. Dimension shall be interpreted per ASME Y14.5-2009
- 2. Pitch : 11.0mm, Poles : N=02~20P
- 3. Withstanding voltage : AC1600V/1Min
- 4. Operating temperature: -40°C~+105°C
- 5. Undimensioned tolerances:

Pitch range in mm		Nominal dimension range in mm				0.1/10	
TO	Over	Over	Over	Over	Over	Over	
6	6	10	30	60	100	150	
±0.15	±0.20	±0.30	±0.30	±0.50	±0.70	±1.00	±1.30
							±2°

6. RoHS Compliance

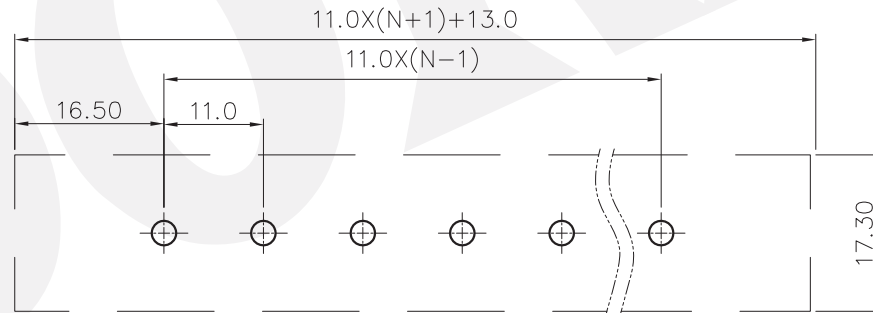


1.0±0.05



6.30±0.30

DBT30CM-11.0 - XXP - 1Y - 00A (H)  
 (Series No.) (Poles) (Single Pitch) (Color): 1.(Grey) 2.(Blue) 3.(Black) 4.(Green) 5.(Orange) 6.(Red) 7.(Transparent) 8.(Yellow) 9.(White)  
 (RoHS) 00A-(Standard)



PCB LAYOUT

DETACHED LISTS	PART NO.:	/		
	APPD:	/		
	CHKD:	/		
	DRFT:	/		
	NAME:		DORABO 慈溪市地博电子有限公司 CIXI DORABO ELECTRONICS CO.,LTD	
	TITLE:		CUSTOMER DRAWING	
	DRAWING NO.:		REV	DO
	THIRD ANGLE PROJECTION		SHEET	1/1
	MM (INCH)		SCALE	1:1
	DO NOT SCALE DRAWING			