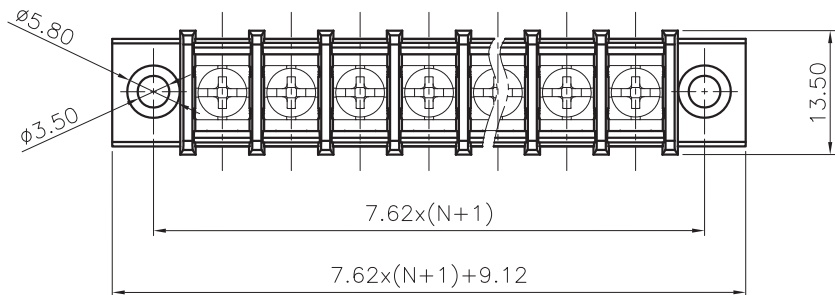


REVISION RECORD				
REV	ECN	DESCRIPTION	DRFT	DATE



NOTES1:

UL Standard

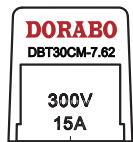
1. Rated voltage/current : 300V / 15A
2. Torque value : M3 , 4.43Lb.in
3. Wire range : 22~14AWG

NOTES2:

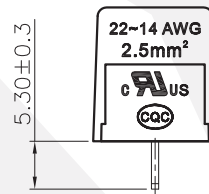
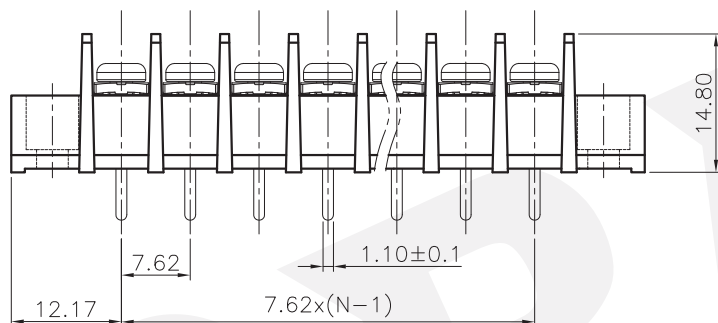
1. Dimension shall be interpreted per ASME Y14.5-2009
2. Pitch : 7.62mm, Poles : N=02~24P
3. Withstanding voltage : AC1600V/1Min
4. Operating temperature: -40°C~+105°C
5. Undimensioned tolerances:

Pitch range in mm		Nominal dimension range in mm					0.1/10	
TO 6	Over 6 TO 10	Over 10 TO 24	Over 30 TO 60	Over 60 TO 100	Over 100 TO 150	±2'		
±0.15	±0.20	±0.30	±0.30	±0.50	±0.70	±1.00	±1.30	±2'

6. RoHS Compliance



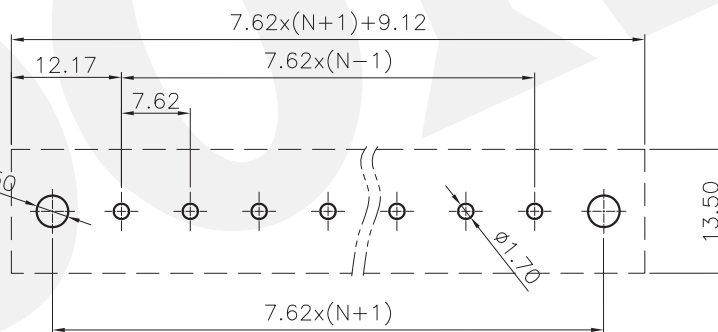
0.80±0.05



5.30±0.3

DBT30CM-7.62 - XXP - 1Y - 00A (H)

- (Series No.)
- (Poles)
- (Single Pitch)
- (Color): 1.(Grey) 2.(Blue) 3.(Black) 4.(Green) 5.(Orange) 6.(Red) 7.(Transparent) 8.(Yellow) 9.(White)
- (RoHS)
- 00A-(Standard)



PCB LAYOUT

DETACHED LISTS	PART NO.:	/			
	APPD:	/			
	CHKD:	/			
	DRFT:	/			
	THIRD ANGLE PROJECTION		DRAWING NO.:		/
		MM (INCH)		DO NOT SCALE DRAWING	
		TITLE: CUSTOMER DRAWING		REV	DO
		NAME: DORABO 慈溪市地博电子有限公司 CIXI DORABO ELECTRONICS CO.,LTD		SHEET	1/1
		DBT30CM-7.62-XXP-1Y-00A(H)		SCALE	1:1