

REVISION RECORD

REV	ECN	DESCRIPTION	DRFT	DATE
-----	-----	-------------	------	------

NOTES1:

UL Standard

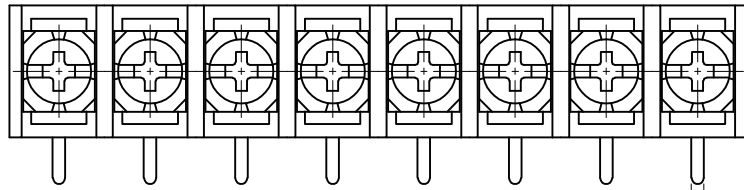
1. Rated voltage/current : 300V / 15A
2. Torque value : M3 , 4.43Lb.in
3. Wire range : 22~14AWG

NOTES2:

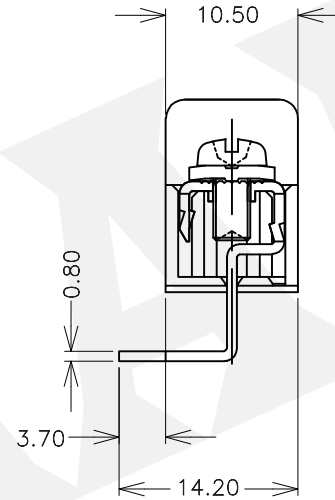
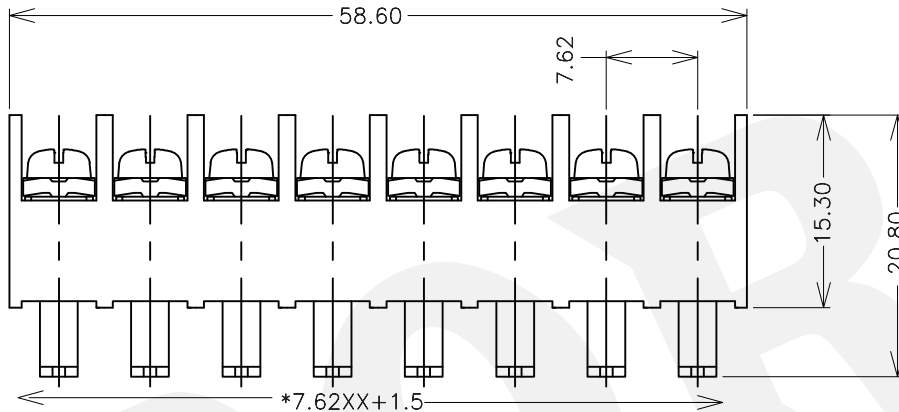
1. Dimension shall be interpreted per ASME Y14.5-2009
2. Pitch : 7.62mm, Poles : N=02~26P
3. Withstanding voltage : AC1600V/1Min
4. Operating temperature: -40°C~+105°C
5. Undimensioned tolerances:

Pitch range in mm		Nominal dimension range in mm							
TO 6	Over 6 TO 10	Over 10 TO 24	Over 30 TO 60	Over 60 TO 100	Over 100 TO 150	Over 150	0.1/10		
±0.15	±0.20	±0.30	±0.30	±0.50	±0.70	±1.00	±1.30	±2*	

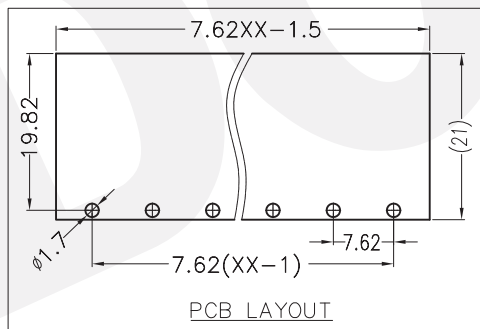
6. RoHS Compliance



1.00



DBT30RX-7.62 - XXP - 1Y - 00A (H)  
 (Series No.) (Poles) (Single Pitch) (Color): 1.(Grey) 2.(Blue) 3.(Black) 4.(Green) 5.(Orange) 6.(Red) 7.(Transparent) 8.(Yellow) 9.(White)  
 (RoHS) 00A-(Standard)



DETACHED LISTS	PART NO.: /	<b>DORABO</b> 慈溪市地博电子有限公司 CIXI DORABO ELECTRONICS CO.,LTD		
	APPD: /	NAME: DBT30RX-7.62-XXP-1Y-00A(H)		
	CHKD: /	TITLE: CUSTOMER DRAWING		
	DRFT: /	REV	DO	
DRAWING NO.: /		SHEET	1/1	
THIRD ANGLE PROJECTION		MM (INCH)	DO NOT SCALE DRAWING	SCALE 1:1