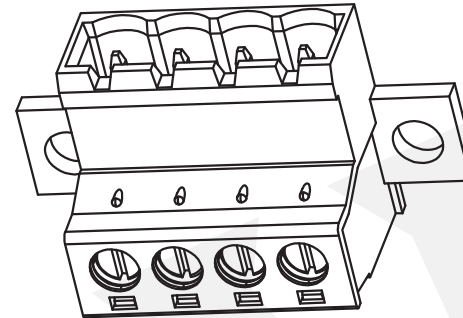
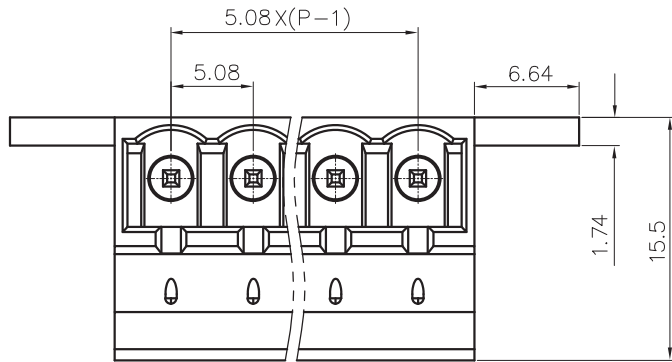


REVISION RECORD

REV	ECN	DESCRIPTION	DRFT	DATE
-----	-----	-------------	------	------

DB2EKRM - 5.0/5.08 - XXP - 1Y - 00A (H)  
 (RoHS)  
 00A-(Standard)  
 (Series No.) (Pitch) (Poles) (Single Pitch)

(Color):1.(Grey) 2.(Blue) 3.(Black) 4.(Green) 5.(Orange)  
 6.(Red) 7.(Transparent) 8.(Yellow) 9.(White)



NOTES1:

UL Standard

- 1.Rated voltage/current : 300V / 15A
- 2.Withstanding voltage : AC1600V/1Min.
- 3.Torque value : M3 , 4.43Lb.in
- 4.Wire range : 28~12AWG

IEC Standard

1. Pollution Degree	2
Overvoltage Category	III
Rate Impulse Voltage(KV)	4.0KV
Rate Voltage(V)	320V
Rate Current(A)	20A

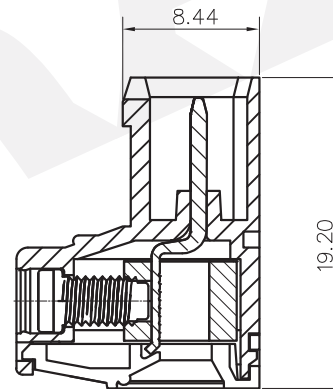
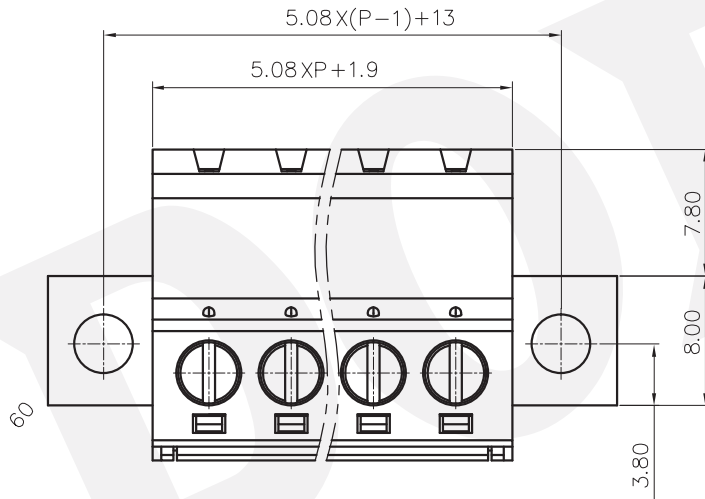
- 2.Torque value : M3 , 0.5N·m
- 3.Wire range : 2.5mm<sup>2</sup>

NOTES2:

- 1.Dimension shall be interpreted per ASME Y14.5-2009
- 2.Pitch : 5.0/5.08mm, Poles : N=02~22P
- 3.Stripping length : 7~8mm
- 4.Operating temperature: -40°C~+105°C
- 5.Undimensioned tolerances:

Pitch range in mm	Nominal dimension range in mm						0.1/10		
	Over 6 TO 6	Over 10 TO 24	Over 30 TO 30	Over 60 TO 60	Over 100 TO 150	Over 150			
	±0.15	±0.20	±0.30	±0.30	±0.50	±0.70	±1.00	±1.30	±2'

- 6.RoHS Compliance



DETACHED LISTS	PART NO.:	/			
	APPD:	/			
	CHKD:	/			
	DRFT:	/			
	<p>THIRD ANGLE PROJECTION</p>		<p><b>DORABO</b> 慈溪市地博电子有限公司 CIXI DORABO ELECTRONICS CO.,LTD</p>		
		NAME:		DB2EKRM-5.0/5.08-XXP-1Y-00A(H)	
		TITLE:		CUSTOMER DRAWING	REV DO
		DRAWING NO.:		/	SHEET 1/1
		MM (INCH)		DO NOT SCALE DRAWING	SCALE 1:1