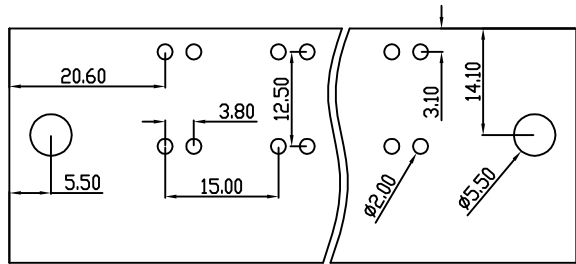
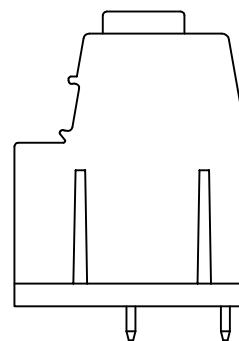
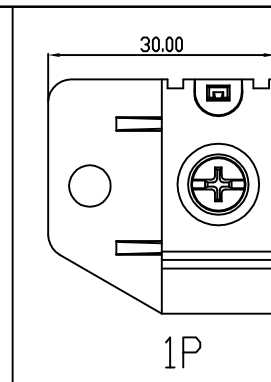
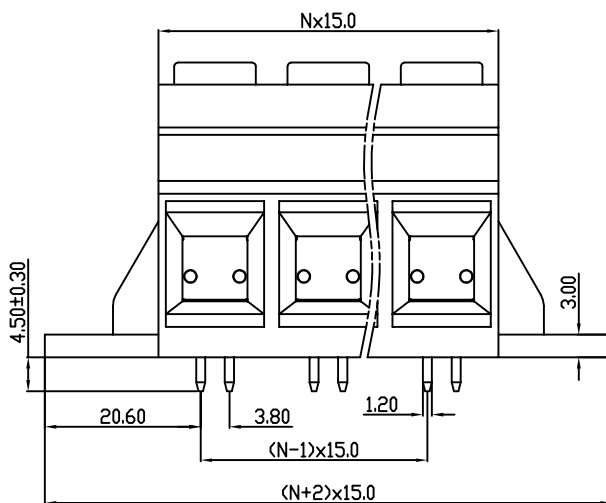
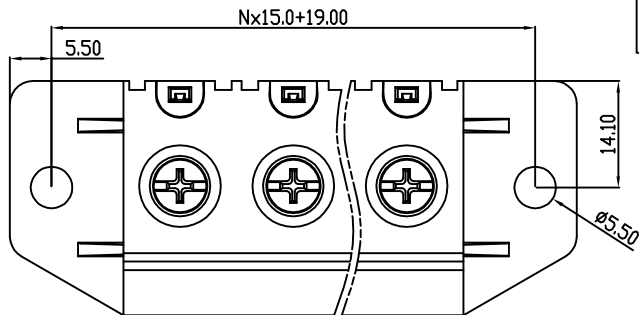
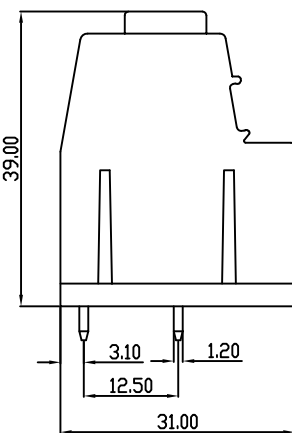


linear dimension(Tolerances Standard GB/T 14486-2008)								—		
variable range	to	over	over	over	over	over	over	to	to	to
	6	6 to 10	10 to 30	30 to 60	60 to 100	100 to 160	160 to			
tolerance	±0.20	±0.30	±0.50	±0.70	±1.00	±1.30	±1.60	0.10	0.30	0.60



PCB Layout



UL/CUL 技术参数		UL/CUL Technical Data				
等级	Use Group	B	C	D		
额定电压	Rated Voltage [V]	600	-	600		
额定电流	Rated Current [A]	115	-	5		
接线范围	Wire Range	20-2				
单/多芯线	Solid/Stranded [AWG]					
耐电压	Withstanding Voltage	2200V/1Min				
IEC 技术参数		IEC Technical Data				
过电压类别	Overvoltage Category	III	III	II		
污染等级	Contamination Class	3	2	2		
额定电压	Rated Voltage [V]	1000	1000	1000		
额定电流	Rated Current [A]	125	125	125		
额定冲击电压	Impulse withstand voltagea [KV]	8	8	8		
导线截面积	Conductor cross section	35				
硬质/柔性导线	Solid/flexible [mm²]					
材料		Material				
绝缘材料	Insulation Material	PA66				
阻燃等级	Imflamability	UL94V-0				
导体材料	Contacto Material	铜合金 Copper alloy				
导体表面镀层	Contactive Coating	镀锡 Sn Plated				
一般参数		Other Data				
间距	Pitch [mm]	15.0				
极数	Poles [P]	01-10				
剥线长度	Stripping Length [mm]	17-18				
螺丝	Screw/扭矩 Torque(Max) [N.m]	M5/2.0				
工作温度	Operating temperatur [°C]	-40-+105				
引针尺寸	Pin Dimensions [mm]	1.20x1.20				
PCB板孔径	PCB Hole Diameter [mm]	2.00				

DB137M — 15.0 — XXP — C — S/P

(Series No.) (Pitch) (Poles)

Slotted/Phillips

(Color) : 1.(Green) 2.(Black) 3.(Blue) 4.(Clear) 5.(Gray)  
6.(Orange) 7.(Red) 8.(White) 9.(Yellow)

APPD:	JTing Chen	2022.4.10
CHKD:	Duck Mao	2022.4.10
DRFT:	Steven Lu	2022.4.10

**DORABO**

宁波地博电气有限公司  
Ningbo Dorabo Electric CO., Ltd

NAME:

DB137M-15.0-XXP-C-P

		SIZE: A4		REV	T0-1
TYPE: CUSTOMER_DRAWING		SCALE: 1:1	SHEET	1/1	