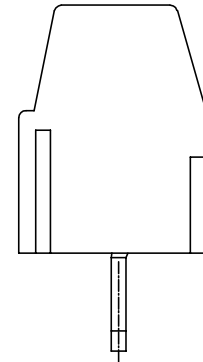
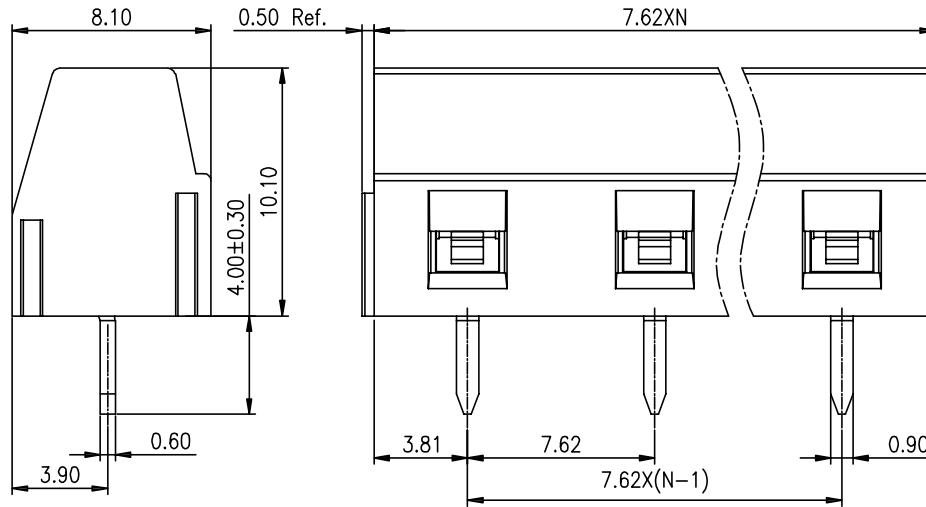
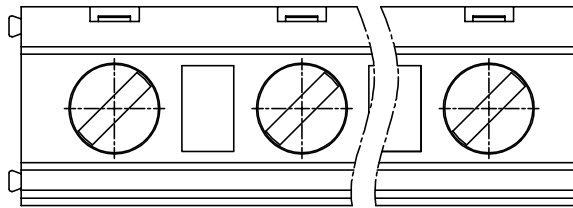
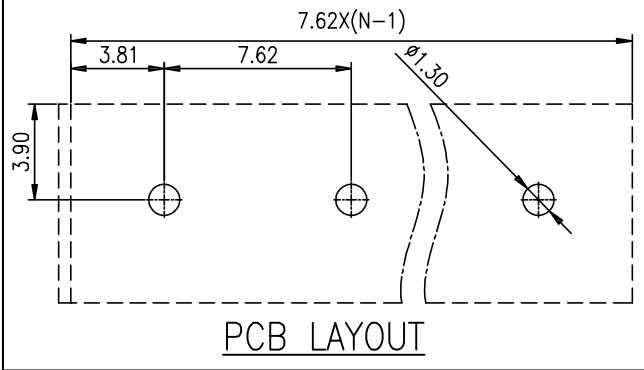


linear dimension(Tolerances Standard GB/T 14486-2008)								—	$\square$	$\perp$
variable range	to 6	over 6 to 10	over 10 to 30	over 30 to 60	over 60 to 100	over 100 to 160	over 160 to	to 10	over 10 to 100	over 100 to
tolerance	±0.20	±0.30	±0.50	±0.70	±1.00	±1.30	±1.60	0.10	0.30	0.60



UL/CUL 技术参数	UL/CUL Technical Data			cRU us		
等级	Use Group	B	C	D		
额定电压	Rated Voltage [V]	300	-	-		
额定电流	Rated Current [A]	12	-	-		
接线范围	Wire Range	26-14				
单/多芯线	Solid/Stranded [AWG]					
耐电压	Withstanding Voltage	1600V/1Min				
IEC 技术参数						
IEC Technical Data						
过电压类别	Overvoltage Category	III	III	II		
污染等级	Contamination Class	3	2	2		
额定电压	Rated Voltage [V]	450	-	-		
额定电流	Rated Current [A]	15	-	-		
额定冲击电压	Impulse withstand voltagea [KV]	2.0	-	-		
导线截面积	Conductor cross section	0.75-1.5				
硬质/柔性导线	Solid/flexible [mm <sup>2</sup> ]					
材料						
绝缘材料	Insulation Material	PA66				
阻燃等级	Infammability	UL94V-0				
导体材料	Contact Material	铜合金 Copper alloy				
导体表面镀层	Contactive Coating	镀锡 Tin Plated				
一般参数						
间距	Pitch [mm]	7.62				
极数	Poles [P]	2-12				
剥线长度	Stripping Length [mm]	6-7				
螺丝	Screw/扭矩 Torque(Max) [N.m]	M3/0.50				
工作温度	Operating temperatur [°C]	-40→+105				
引针尺寸	Pin Dimensions [mm]	-				
PCB板孔径	PCB Hole Diameter [mm]	1.3				

DB127 — 7.62 — XXP — C — S/P  
 (Series No.) (Pitch) (Poles)  
 Slottef/Phillips  
 (Color) : GN:(Green) , BK:(Black) , BU:(Blue) , RD:(Red) , GY:(Gray)  
 OG:(Orange) , WT:(White) , YL:(Yellow) , CR:(Clear)

APPD: J Ting Chen 2022.4.6  
 CHKD: Duck Mao 2022.4.6  
 DRFT: Steven Lu 2022.4.6

**DORABO**

宁波地博电气有限公司  
 Ningbo Dorabo Electric CO., Ltd

NAME:

DB127-7.62-XXP-C-S



SIZE: A4

mm (inch)

REV T0-1

TYPE: CUSTOMER\_DRAWING

SCALE: 1:1

SHEET 1/1