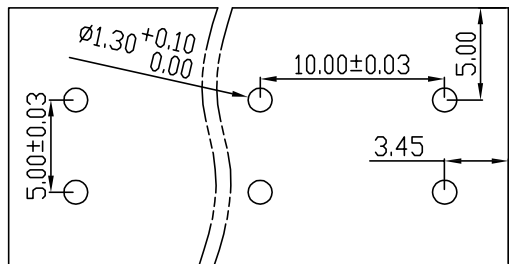
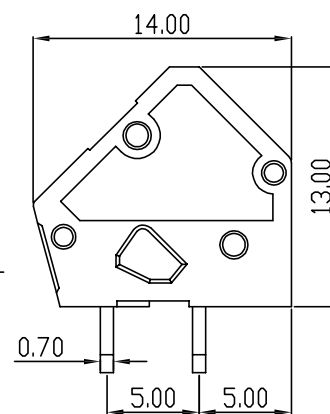
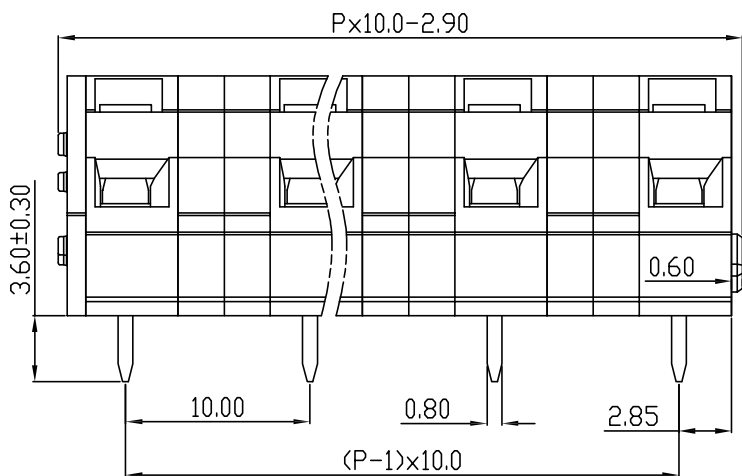
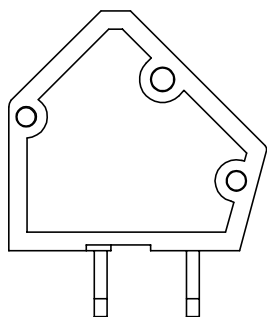
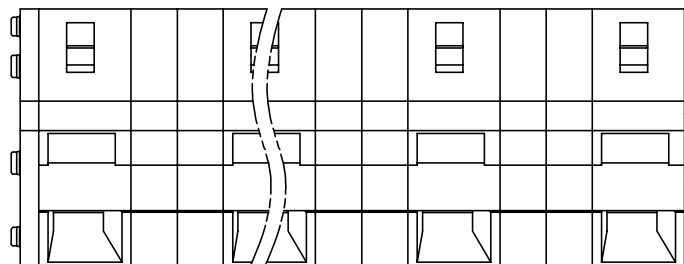


linear dimension(Tolerances Standard GB/T 14486-2008)								—	∇	\perp
variable range	to 6	over 6 to 10	over 10 to 30	over 30 to 60	over 60 to 100	over 100 to 160	over 160 to	to 10	over 10 to 100	over 100 to
tolerance	±0.20	±0.30	±0.50	±0.70	±1.00	±1.30	±1.60	0.10	0.30	0.60



P.C.B. LAYOUT



UL/CUL 技术参数	UL/CUL Technical Data		
等级 Use Group	B	C	D
额定电压 Rated Voltage [V]	300	150	300
额定电流 Rated Current [A]	66	66	10
接线范围 Wire Range	28-4		
单/多芯线 Solid/Stranded [AWG]			
耐电压 Withstanding Voltage	1600V/1Min		
IEC 技术参数	IEC Technical Data		
过电压类别 Overvoltage Category	III	III	II
污染等级 Contamination Class	3	2	2
额定电压 Rated Voltage [V]	1000	1000	1000
额定电流 Rated Current [A]	76	76	76
额定冲击电压 Impulse withstand voltagea [KV]	8.0	8.0	6.0
导线截面积 Conductor cross section	0.2-16		
硬质/柔性导线 Solid/ flexible [mm ²]			
材料 Material			
绝缘材料 Insulation Material	PA66		
阻燃等级 Inflammability	UL94V-0		
导体材料 Contactor Material	铜合金 Copper alloy		
导体表面镀层 Contactive Coating	镀锡 Sn Plated		
一般参数 Other Data			
间距 Pitch [mm]	10.0		
极数 Poles [P]	2-24		
剥线长度 Stripping Length [mm]	18		
螺丝 Screw/扭矩 Torque(Max) [N.m]	-		
工作温度 Operating temperatur [°C]	-40~+105		
引针尺寸 Pin Dimensions [mm]	-		
PCB板孔径 PCB Hole Diameter [mm]	1.80		

DB245 — 10.0 — XXP — C

(Series No.) (Pitch) (Poles)

(Color) : GN:(Green), BK:(Black), BU:(Blue), RD:(Red), GY:(Gray)
OG:(Orange), WT:(White), YL:(Yellow), CR:(Clear)

APPD: JTING Chen 2022.4.6
CHKD: Duck Mao 2022.4.6
DRFT: Steven Lu 2022.4.6

DORABO

宁波地博电气有限公司
Ningbo Dorabo Electric CO., Ltd

NAME:

DB245-10.0-XXP-C



SIZE: A4

mm
(inch)

REV

T0-1

TYPE: CUSTOMER_DRAWING

SCALE: 1:1

SHEET

1/1