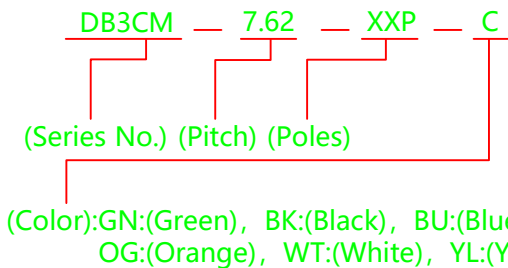
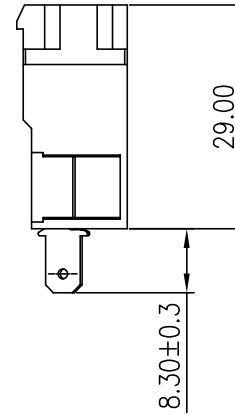
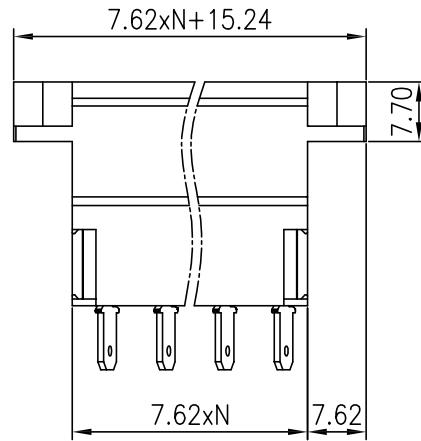
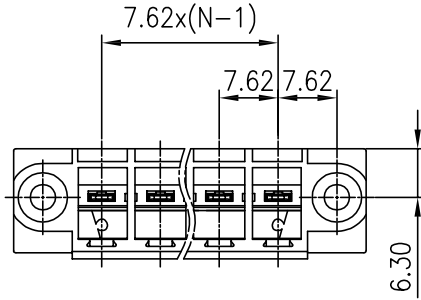
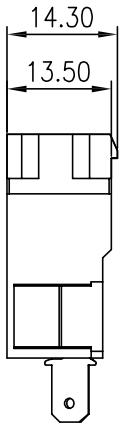
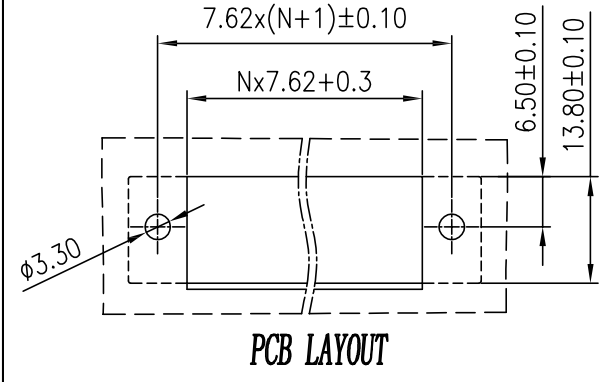


linear dimension(Tolerances Standard GB/T 14486-2008)								—	$\nabla$	$\perp$
variable range	to 6	over 6 to 10	over 10 to 30	over 30 to 60	over 60 to 100	over 100 to 160	over 160 to	to 0.10	over 10 to 0.30	over 100 to 0.60
tolerance	±0.20	±0.30	±0.50	±0.70	±1.00	±1.30	±1.60	0.10	0.30	0.60



APPD: JTing Chen	2022.11.23
CHKD: Duck Mao	2022.11.23
DRFT: Steven Lu	2022.11.23

**宁波地博电气有限公司**  
Ningbo Dorabo Electric CO., Ltd

NAME: DB3CM-7.62-XXP-C

$\oplus$ $\triangleleft$	SIZE: A4	$\leftarrow$ mm (inch) $\rightarrow$	REV	T0-1
TYPE: CUSTOMER_DRAWING	SCALE: 1:1	SHEET	1/1	

UL/CUL 技术参数	UL/CUL Technical Data					
等级 Use Group	B	C	D			
额定电压 Rated Voltage [V]	300	300	-			
额定电流 Rated Current [A]	30	30	-			
接线范围 Wire Range				-		
单/多芯线 Solid/Stranded [AWG]						
耐电压 Withstanding Voltage				1600V/1Min		
IEC 技术参数						
IEC Technical Data						
过电压类别 Overvoltage Category	III	III	II			
污染等级 Contamination Class	-	2	2			
额定电压 Rated Voltage [V]	-	400	-			
额定电流 Rated Current [A]	-	32	-			
额定冲击电压 Impulse withstand voltagea [KV]	-	4	-			
导线截面积 Conductor cross section				-		
硬质/柔性导线 Solid/flexible [mm <sup>2</sup> ]						
材料 Material						
绝缘材料 Insulation Material				PA66		
阻燃等级 Inflammability				UL94V-0		
导体材料 Contactor Material				铜合金 Copper alloy		
导体表面镀层 Contactive Coating				镀锡 Sn Plated		
一般参数 Other Data						
间距 Pitch [mm]				7.62		
极数 Poles [P]				02~12		
剥线长度 Stripping Length [mm]				-		
螺丝 Screw/扭矩 Torque(Max) [N.m]				-		
工作温度 Operating temperatur [°C]				-40~+105		
引针尺寸 Pin Dimensions [mm]				-		
PCB板孔径 PCB Hole Diameter [mm]				3.30		