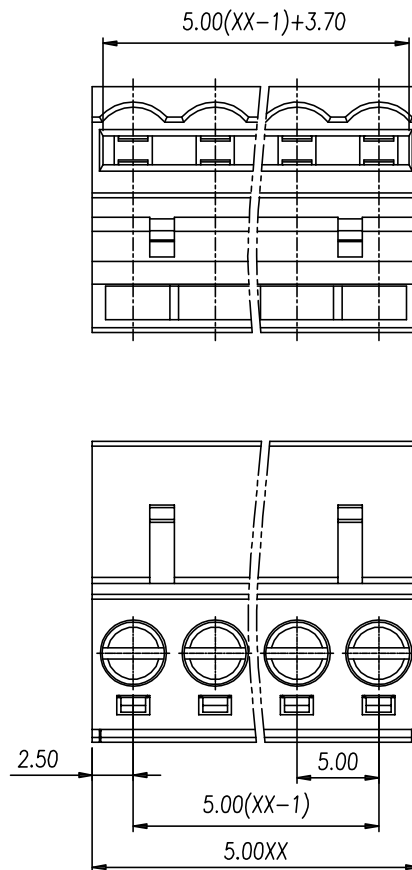
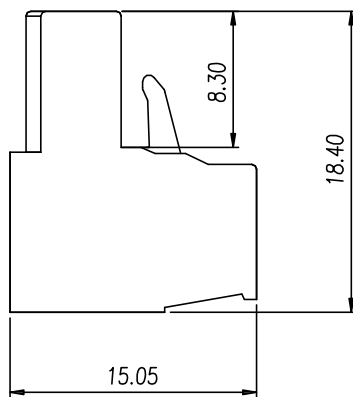
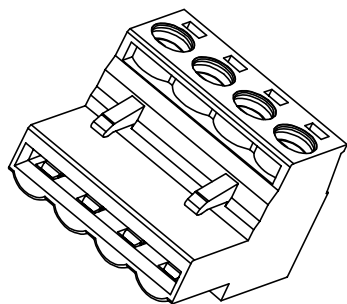


| linear dimension(Tolerances Standard GB/T 14486-2008) |       |         |          |          |           |            |        | — ▯ ⊥ |           |        |
|---|-------|---------|----------|----------|-----------|------------|--------|-------|-----------|--------|
| variable range  | to    | over    | over     | over     | over      | over       | over   | to    | over      | over   |
|   | 6     | 6 to 10 | 10 to 30 | 30 to 60 | 60 to 100 | 100 to 160 | 160 to |       | 10 to 100 | 100 to |
| tolerance   | ±0.20 | ±0.30   | ±0.50    | ±0.70    | ±1.00     | ±1.30      | ±1.60  | 0.10  | 0.30      | 0.60   |



| UL/CUL 技术参数                               | cRU us             |      |      |
|---|--------------------|------|------|
| UL/CUL Technical Data                     | B                  | C    | D    |
| 等级 Use Group                              | B                  | C    | D    |
| 额定电压 Rated Voltage [V]                    | 300                | -    | 300  |
| 额定电流 Rated Current [A]                    | 10                 | -    | 10   |
| 接线范围 Wire Range                           | 28-12              |      |      |
| 单/多芯线 Solid/Stranded [AWG]                |                    |      |      |
| 耐电压 Withstanding Voltage                  | 1600V/1Min         |      |      |
| IEC 技术参数                                  | IEC Technical Data |      |      |
| 过电压类别 Overvoltage Category                | III                | III  | II   |
| 污染等级 Contamination Class                  | 3                  | 2    | 2    |
| 额定电压 Rated Voltage [V]                    | 160                | 320  | 630  |
| 额定电流 Rated Current [A]                    | 17.5               | 17.5 | 17.5 |
| 额定冲击电压 Impulse withstand voltagea [KV]    | 4.0                | 4.0  | 4.0  |
| 导线截面积 Conductor cross section             | 0.2-2.5            |      |      |
| 硬质/柔性导线 Solid/flexible [mm <sup>2</sup> ] |                    |      |      |
| 材料 Material                               |                    |      |      |
| 绝缘材料 Insulation Material                  | PA66               |      |      |
| 阻燃等级 Inflammability                       | UL94V-0            |      |      |
| 导体材料 Contactor Material                   | 铜合金 Copper alloy   |      |      |
| 导体表面镀层 Contactive Coating                 | 镀锡 Sn Plated       |      |      |
| 一般参数 Other Data                           |                    |      |      |
| 间距 Pitch [mm]                             | 5.0                |      |      |
| 极数 Poles [P]                              | 2-24               |      |      |
| 剥线长度 Stripping Length [mm]                | 7-8                |      |      |
| 螺丝 Screw/扭矩 Torque(Max) [N.m]             | M3/0.4             |      |      |
| 工作温度 Operating temperatur [°C]            | -40~+105           |      |      |
| 引针尺寸 Pin Dimensions [mm]                  | -                  |      |      |
| PCB板孔径 PCB Hole Diameter [mm]             | -                  |      |      |

DB2EKP — 5.0 — XXP — C — S/P  
 (Series No.) (Pitch) (Poles) Slottef/Phillips  
 (Color) : GN:(Green) , BK:(Black) , BU:(Blue) , RD:(Red) , GY:(Gray)  
 OG:(Orange) , WT:(White) , YL:(Yellow) , CR:(Clear)

APPD: JTING Chen 2022.4.6  
 CHKD: Duck Mao 2022.4.6  
 DRFT: Steven Lu 2022.4.6

**DORABO** 宁波地博电气有限公司  
 Ningbo Dorabo Electric CO., Ltd

NAME: DB2EKP-5.0-XXP-C-S

TYPE: CUSTOMER\_DRAWING

SIZE: A4

SCALE: 1:1

REV: T0-1

SHEET: 1/1